

INSTALLATION INSTRUCTIONS FOR ECONOMIZERS AND OUTDOOR AIR HOODS  
USED WITH LG/LC 036, 048, 060, 072 UNITS

Note – Disregard economizer installation section when dampers are factory-installed.

Shipping and Packing List

Package 1 of 1 contains:

- 1– Economizer damper assembly
- 1– Relief air hood with barometric relief damper assembly
- 1– Outside air hood

**CAUTION**

Danger of sharp metallic edges. Can cause injury. Take care when servicing unit to avoid accidental contact with sharp edges.

Install Economizer – Downflow

- 1– Open unit end panel. See figure 1.
- 2– Install damper assembly through end of unit. Fit opening in bottom of damper assembly over the return air opening. See figure 3.
- 3– Disconnect jumper plug P3 from unit jack J3. Connect economizer plug P4 to unit jack J3 as shown in figure 2.

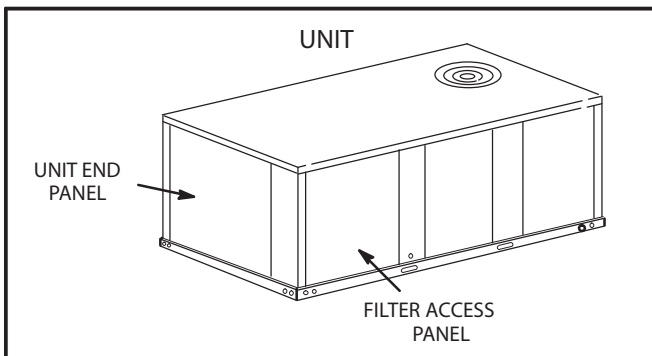


FIGURE 1

**WARNING**

Improper installation, adjustment, alteration, service or maintenance can cause property damage, personal injury or loss of life. Installation and service must be performed by a qualified installer, service agency or the gas supplier

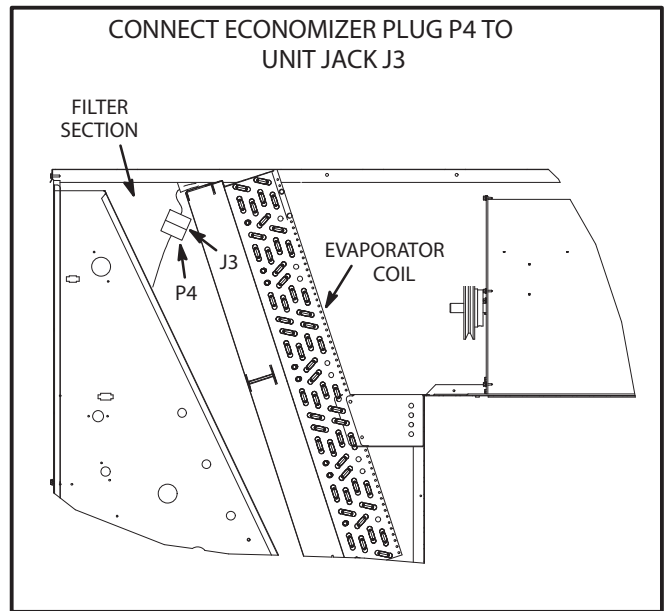


FIGURE 2

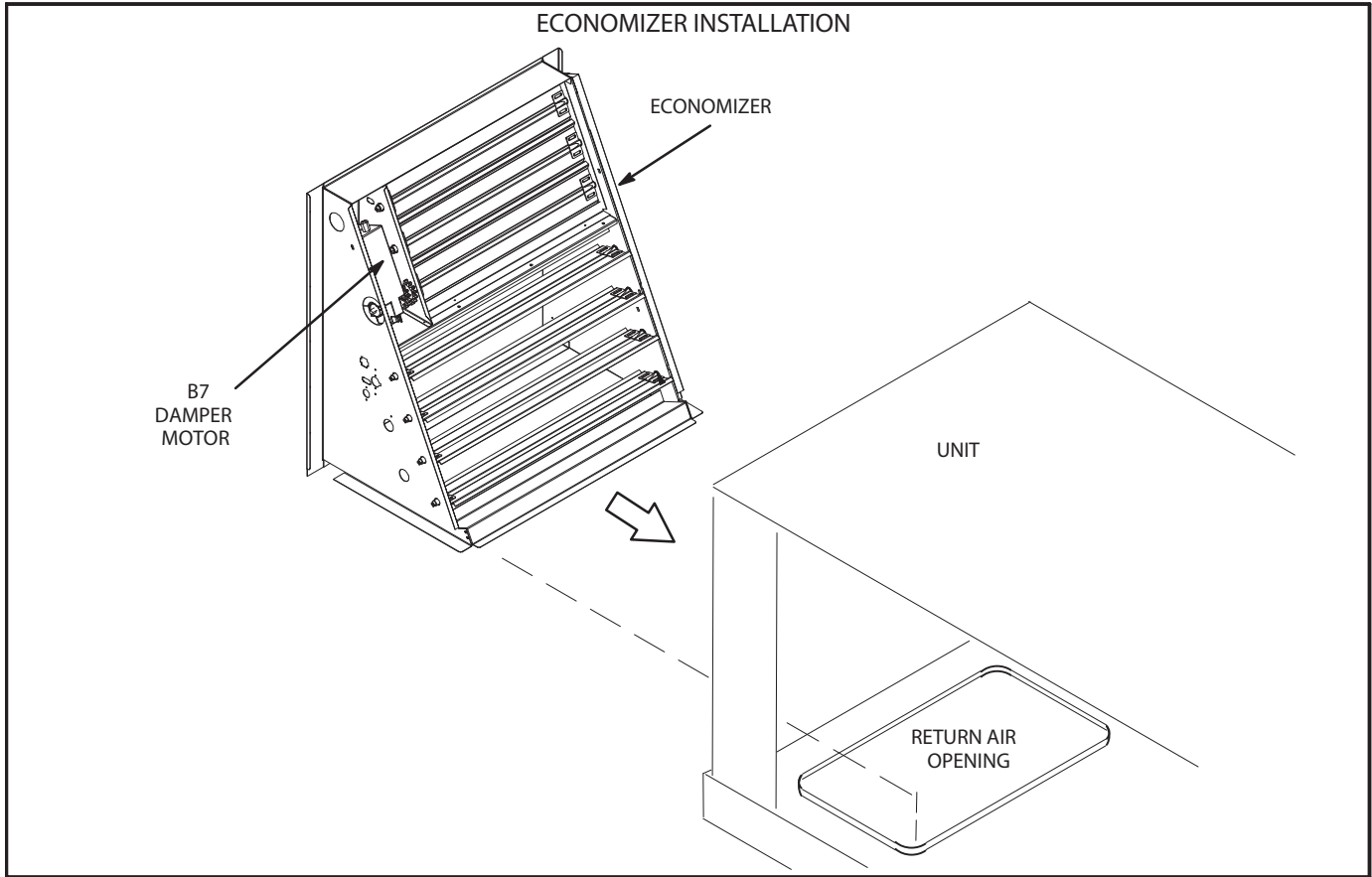


FIGURE 3