

**FEATURES**

- Fully modulating direct couple actuator standard.
- Stainless steel damper side seals.
- External linkage system.
- Mechanically secured upgraded outside air intake filter.
- Down or horizontal discharge application.
- "LEED" economizer option.

**CONVERTIBLE ECONOMIZER WITH AIRFOIL DAMPER BLADES AND BAROMETRIC RELIEF FOR ALLIED UNITS**

**KGA/KCA 180-300S; KHA 180-240S**

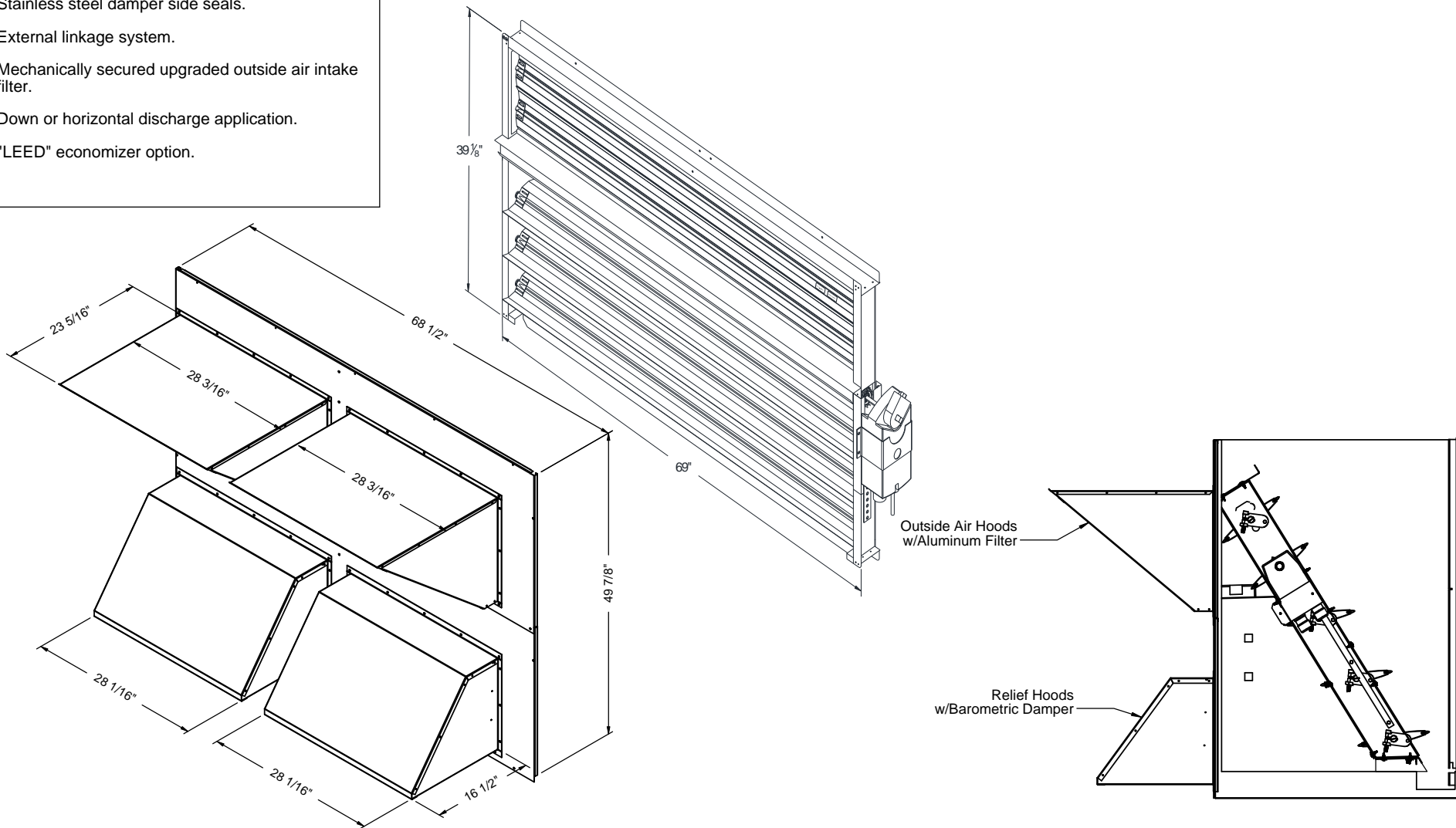
**PROVENT P/N**

**Wt.**

**ECODCBKDB**  
(Fully Modulating Dry Bulb)

127 lb.

**ECODCBKEN**  
(Fully Modulating Enthalpy)



3847 WABASH DR.  
MIRA LOMA, CA 91725

PHONE (951) 685-1101  
FAX (619) 872-9799

SUBMITTED TO: \_\_\_\_\_

COMPANY: \_\_\_\_\_

JOB NAME: \_\_\_\_\_

EQUIPMENT: \_\_\_\_\_

NOTES: \_\_\_\_\_

FORM NO:

-

DATE:

9/8/2014

PART NUMBER:

ECODCBK Series

REV:

1

DRAWN BY:

CNG