

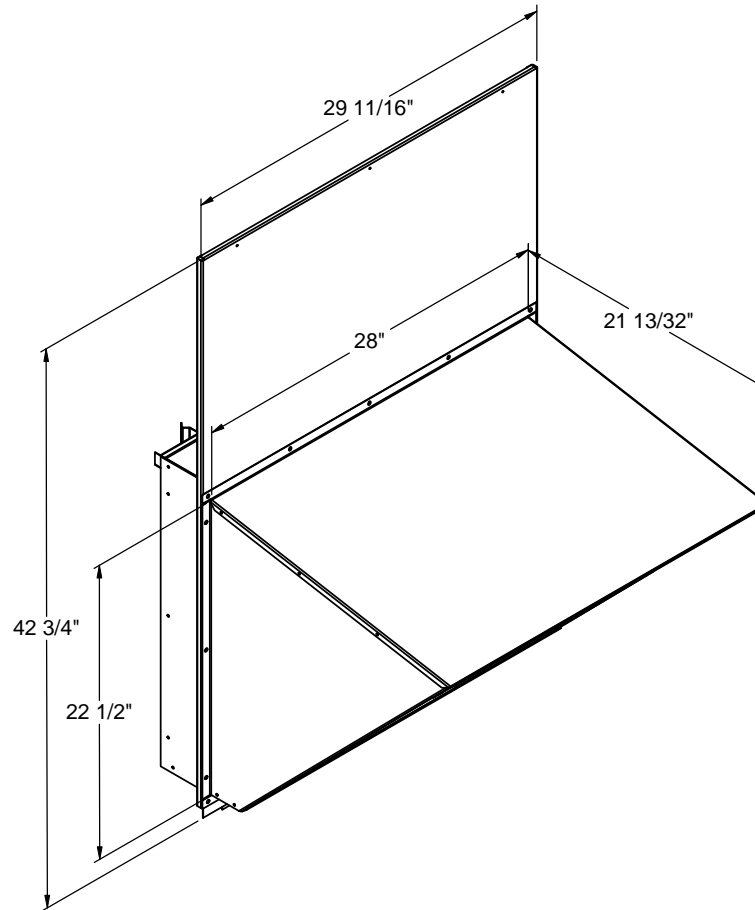
FEATURES

- Built in damper position limit stop standard. (Not needed with CO2 capable offering).
- CO2 capable model includes CO2 controller standard.
- Space or duct mounted CO2 sensor provided as option:
 - CO2WM - Wall / Space Mount w/LED display.
 - CO2DM - Duct Mount.
- Stainless steel low leak damper side seals.
- External linkage system.
- Mechanically secured upgraded outside air intake filter.
- Horizontal or down discharge. (Mounts in same position on unit).

0 - 100% 2 POSITION OFFERING FOR ALLIED UNITS

KGA, KCA, KHA 092-150S

PROVENT P/N	DESCRIPTION	Wt.
OA2POBBX100BL	OUTSIDE AIR SELECTABLE 2 POSITION (0-100% O/A VARIABLE)	62 Lb.
OA2POBBX100VCO2	OUTSIDE AIR SELECTABLE 2 POSITION CO2 CAPABLE (0-100% O/A VARIABLE CO2 CAPABLE)	



3847 WABASH DRIVE
MIRA LOMA, CA 91752

PHONE (951) 685-1101
FAX (619) 872-9799

SUBMITTED TO: _____
 COMPANY: _____
 JOB NAME: _____
 EQUIPMENT: _____
 NOTES: _____

FORM NO:
OA-205

PART NUMBER:
OA2POBBX SERIES

DATE:
7/3/2013

REV:
-

DRAWN BY:
FMM