

FEATURES

- Modulating option includes fully programmable (factory set) variable frequency drive controlled by a differential pressure transducer designed to continuously monitor space pressure.
- CO2 controller standard on economizer. Space or duct mounted CO2 sensor provided as option:
 - CO2WM - Wall Mount With LED
 - CO2DM - Duct Mount
- Access door for motor, blower, and blower drives.
- Adjustable motor sheave.
- Motor with automatic internal thermal protection.

DOWN OR HORIZONTAL DISCHARGE CENTRIFUGAL POWER EXHAUST ECONOMIZER FOR ALLIED UNITS

LGH/LCH 036-048

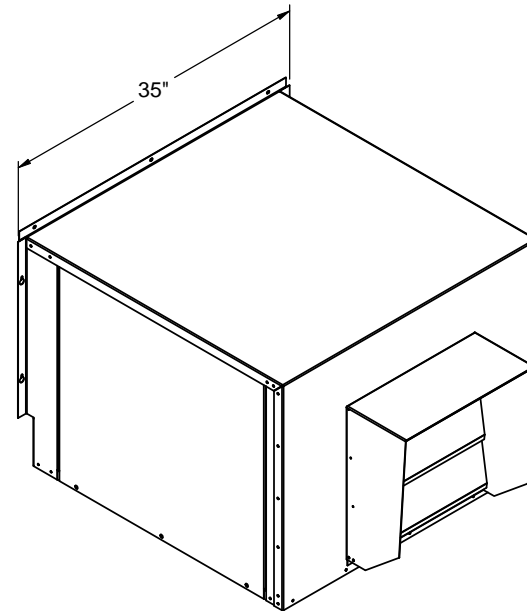
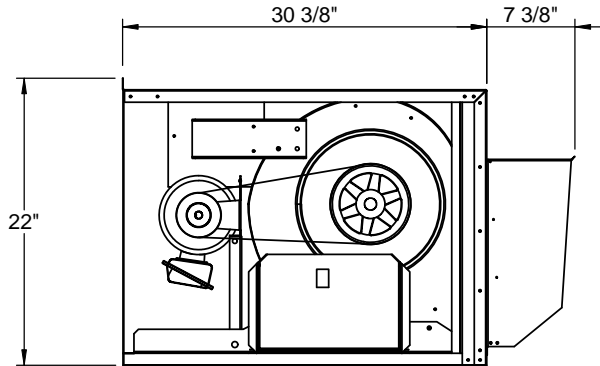
| VOLTAGE | External Static (in. W.G) | | | | FLA | MCA | MOP | Hp | Wt |
|----------|---------------------------|-----------|-----------|-----------|-----|-----|-----|----|--------------------------------|
| | 0.1 | 0.2 | 0.3 | 0.4 | | | | | |
| 230V/3Ph | 2,400 cfm | 2,200 cfm | 2,000 cfm | 1,800 cfm | 3.2 | 4 | 7 | 1 | 170 Lbs. (Includes Economizer) |
| 460V/3Ph | | | | | 1.6 | 2 | 3 | | |

ProVent P/N

| CONSTANT VOLUME | MODULATING |
|--|--|
| PECCABXSDB25C 208/230V 3Ph Selectable Dry Bulb | PECCABXSDB25M 208/230V 3Ph Selectable Dry Bulb |
| PECCABXSEN25C 208/230V 3Ph Enthalpy | PECCABXSEN25M 208/230V 3Ph Enthalpy |
| PECCABXSDB46C 460V 3Ph Selectable Dry Bulb | PECCABXSDB46M 460V 3Ph Selectable Dry Bulb |
| PECCABXSEN46C 460V 3Ph Enthalpy | PECCABXSEN46M 460V 3Ph Enthalpy |

PLEASE NOTE:

1. Return air duct, dampers, return air grills are specific for each unit.
2. For proper electrical wire sizing, Provent power exhaust full load amps need to be added to equation.



3847 WABASH DR.
MIRA LOMA, CA 91725

PHONE (951) 685-1101
FAX (619) 872-9799

SUBMITTED TO: _____
 COMPANY: _____
 JOB NAME: _____
 EQUIPMENT: _____
 NOTES: _____

FORM NO:
PE-302

DATE:
10/15/2014

PART NUMBER:
PECCABXS SERIES

REV:
2

DRAWN BY:
FMM