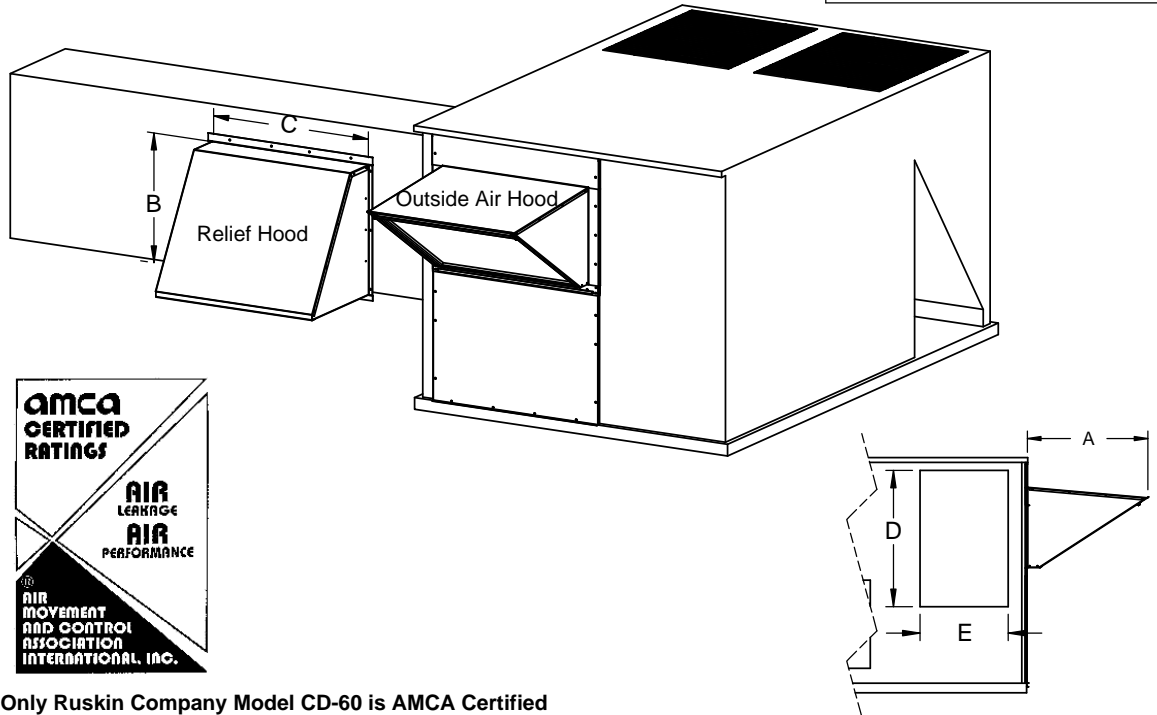


- FEATURES**
- CA Title 24 Compliant.
 - Direct coupled style actuator standard.
 - Stainless steel damper side seals.
 - AMCA certified CD-60 Airfoil dampers blades.
 - Meets leakage rate as required by ASHRAE 90.1.
 - External linkage system.
 - Mechanically secured outside air intake filter.
 - Capable of introducing up to 100% outdoor air.
 - Metal Filter Included:
25-1/2" x 26-3/8" x 7/8" (exact) for Large cabinet
18-3/8" x 26-3/8" x 7/8" (exact) for Small cabinet
- FEATURES (When Ordered With Control Options)**
- Fully modulating damper controls with enthalpy, dry bulb and differential temperature sensor options.
 - Selectable economizer changeover temperature set point.
 - Requires part number 2ECO402 for Dual Enthalpy.
 - CO2 controller standard.
- Wall or duct mounted CO2 sensor provided as option:
- CO2WM - Wall Mount
 - CO2DM - Duct Mount

HORIZONTAL DISCHARGE ECONOMIZER WITH BAROMETRIC RELIEF FOR YORK UNITS						
ZT/ZR/ZH/ZJ 037, 049, 061 ZF/ZH/ZJ/ZR/XP/DH/DM/DF/DR/BP 078-150: DJ 150						
PROVENT P/N	YORK UNITS	A	B	C	D	E
ECOHPRDSC** (Small Cabinet)	ZT, ZH, ZR, ZJ 037-061 ZF, ZH, ZR 078, 090 DH 078-102 DF, DM 090, 102; BP 090	20 11/16	17 1/16	29 3/4	27 3/4	18 1/16
ECOHPRDLC** (Large Cabinet)	ZF, ZH, ZR 102-150 ZJ, XP 078-150 BP 078, 102-150; DJ 150 DH 120, 150; DF 078, 150 DM 078, 120, 150; DR 090-150	25 5/16	17 1/16	29 3/4	28 1/4	18 1/16

PROVENT P/N	Wt.
ECOHPRDSCDB (Fully Modulating Dry Bulb)	76 Lb.
ECOHPRDSCEN (Fully Modulating Enthalpy)	
ECOHPRDSCDBS (SSE Controller Dry Bulb)	
ECOHPRDSCENS (SSE Controller Enthalpy)	87 Lb.
ECOHPRDLCDB (Fully Modulating Dry Bulb)	
ECOHPRDLCEN (Fully Modulating Enthalpy)	
ECOHPRDLCDBS (SSE Controller Dry Bulb)	
ECOHPRDLCENS (SSE Controller Enthalpy)	

Note: For factory installed LEED economizer option, part number, FLOWECPRD3715, must be added.



- LEED ECONOMIZER OPTION**
- ProVent P/N: FLOWECPRD3715
 - Outside air measurement for dilution utilizing thermal dispersion technology and ASHRAE 62.1 compliant. Provides LEED credit by supplying feedback on ventilation system performance ensuring that the ventilation system maintains design requirements.
 - Factory installed onto economizer standard.
 - Provides analog outputs for BMS, visual or audible alert, and generates an alarm when conditions vary by 10% or more of set point.
- Economizer
- Outside Air Hood
- Thermal Dispersion Airflow Measurement System

Only Ruskin Company Model CD-60 is AMCA Certified

	3847 WABASH DR. MIRA LOMA, CA 91725 PHONE (951) 685-1101 FAX (619) 872-9799	SUBMITTED TO: _____	FORM NO: ECO-200	PART NUMBER: ECOHPRD Series	
		COMPANY: _____	DATE: 2/16/2016	REV: 9	DRAWN BY: CNG
		JOB NAME: _____			
		EQUIPMENT: _____			
		NOTES: _____			