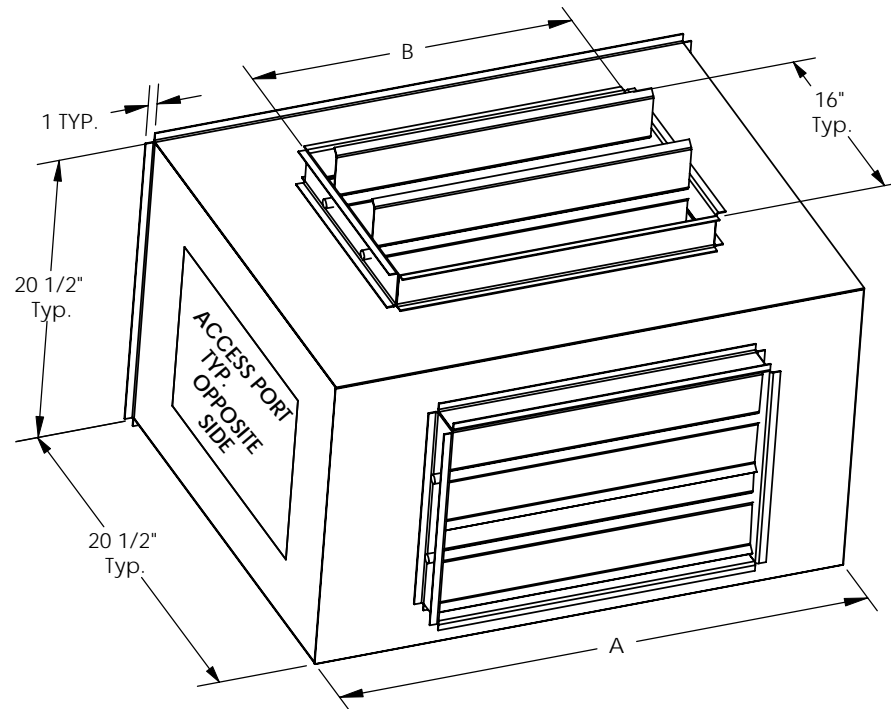


MIXING BOX FOR DOWNFLOW YORK FURNACES

FEATURES:

- Factory assembled.
- Galvanized steel construction.
- Fully insulated.
- Low leak dampers.
- Optional modulating controls with selectable dry bulb or enthalpy are available.
- Direct coupled damper movement.

UNIT SIZE	PART NUMBER	CONTROL TYPE	A	B	EST. WT
Y8S, P*8A* 040-080A*DH11 PS9A* 040DH11 PV8A* 060DH11	MB-DHA-AC	ACTUATOR ONLY	13 1/2"	10"	37 LBS.
	MB-DHA-DB	MODULATING CONTROLS WITH SELECTABLE DRY BULB			
	MB-DHA-EN	MODULATING CONTROLS WITH ENTHALPY			
PS8B*, PT8B* 080-100DH11 PV8B* 080DH11 Y8S 080-100B*DH11 P*9B* 060-080DH11 8C050-075*MDB12 Y8S080-100B*DH11	MB-DHB-AC	ACTUATOR ONLY	16 1/2"	12"	42 LBS.
	MB-DHB-DB	MODULATING CONTROLS WITH SELECTABLE DRY BULB			
	MB-DHB-EN	MODULATING CONTROLS WITH ENTHALPY			
PT8C*, PV8C* 080-120DH11 PS8C* 100-115DH11 P*9C* 080-100DH11 Y8S 080-115C*DH11 8C075-100* MDC12	MB-DHC-AC	ACTUATOR ONLY	20"	16"	51 LBS.
	MB-DHC-DB	MODULATING CONTROLS WITH SELECTABLE DRY BULB			
	MB-DHC-EN	MODULATING CONTROLS WITH ENTHALPY			
Y8S, PS8D* 130D*DH11 8C100-125*MDD11 P*9D* 120DH11	MB-DHD-AC	ACTUATOR ONLY	23 1/2"	18"	59 LBS.
	MB-DHD-DB	MODULATING CONTROLS WITH SELECTABLE DRY BULB			
	MB-DHD-EN	MODULATING CONTROLS WITH ENTHALPY			



1392 EAST PALOMAR STREET
SUITE 403-234
CHULA VISTA, CA 91913

PHONE (619) 498-9246
FAX (619) 872-9799

SUBMITTED TO: _____
COMPANY: _____
JOB NAME: _____
EQUIPMENT: _____
NOTES: _____

FORM NO:
MB-DH-101

DATE:
5/5/2009

PART NUMBER:
MB-DH* SERIES

REV:
2

DRAWN BY:
MER