

**FEATURES**

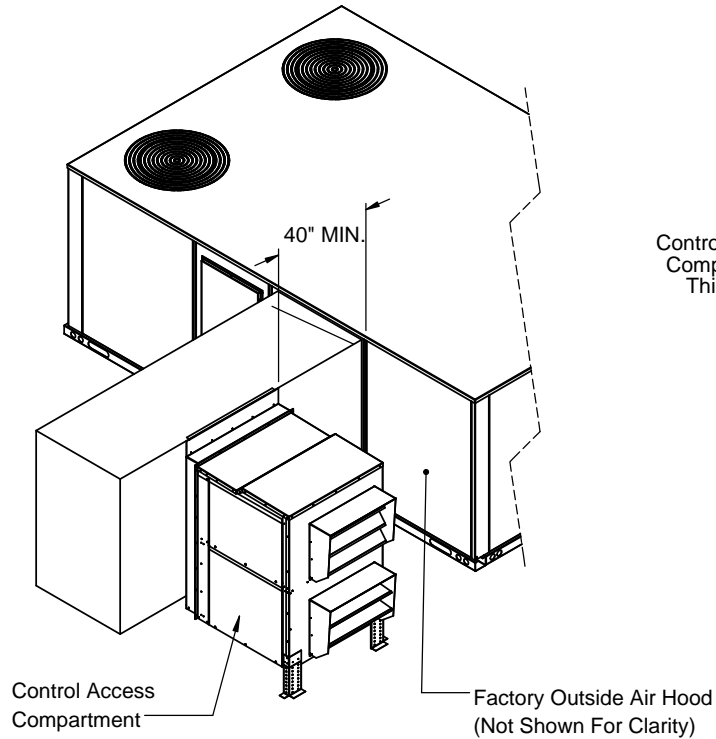
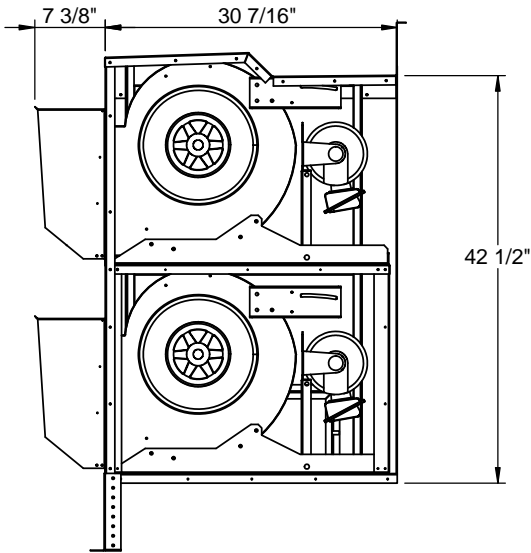
- Constant volume factory set for 2 stage.
- Modulating option includes fully programmable (factory set) variable frequency drive controlled by a differential pressure transducer. Designed to continuously monitor space pressure.
- Access doors for motor, blower, and blower drives.
- Adjustable motor sheave.
- Motor with automatic internal thermal protection.
- Support legs are adjustable.

**DOWN OR HORIZONTAL DISCHARGE CENTRIFUGAL POWER RELIEF FOR YORK UNITS**

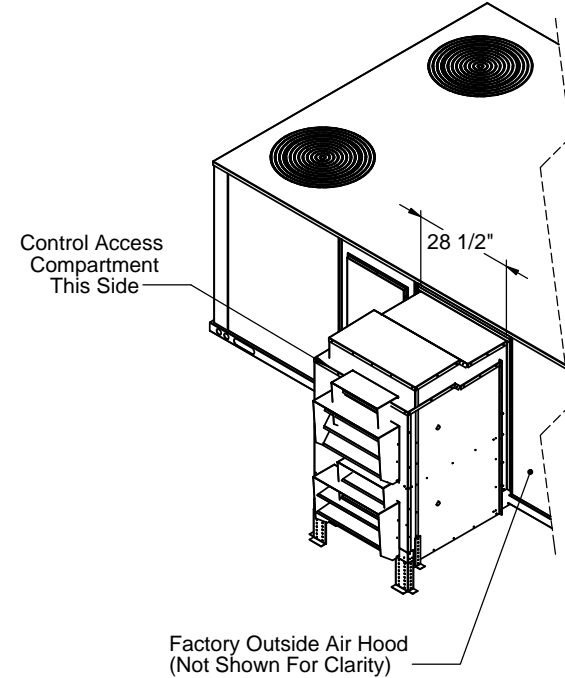
**ZJ/ZR 180-210; ZF 180-210; XP 180-210**

VOLTAGE	ProVent P/N	External Static (in. w.g.)				FLA	Hp
		.10	.25	.50	.75		
208/230V/3Ph	PECCSLM182125CS PECCSLM182125MS	5,952 cfm	5,800 cfm	5,648 cfm	5,504 cfm	11.2	4 Hp Total (Qty. 2, 2 Hp)
460V/3Ph	PECCSLM182146CS PECCSLM182146MS					5.6	

ProVent P/N	Wt.
PECCSLM182125CS Constant Volume (2 Stage) 230V/3Ph	250 Lbs.
PECCSLM182146CS Constant Volume (2 Stage) 460V/3Ph	
PECCSLM182125MS Modulating 230V/3Ph	
PECCSLM182146MS Modulating 460V/3Ph	



**HORIZONTAL DISCHARGE**



**DOWN DISCHARGE**



3847 WABASH DR.  
MIRA LOMA, CA 91725

PHONE (951) 685-1101  
FAX (619) 872-9799

SUBMITTED TO: \_\_\_\_\_  
COMPANY: \_\_\_\_\_  
JOB NAME: \_\_\_\_\_  
EQUIPMENT: \_\_\_\_\_  
NOTES: \_\_\_\_\_

FORM NO:  
PE-06

PART NUMBER:  
PECCSLM1821 SERIES

DATE:  
8/1/2016

REV:  
8

DRAWN BY:  
CNG