

FEATURES

- CA Title 24 Compliant.
- Includes fully modulating economizer. (See Form ECO-200 for Economizer Specs).
- CO2 controller standard on economizer. Space or duct mounted CO2 sensor provided as option:
 - CO2WM - Wall Mount With LED
 - CO2DM - Duct Mount
- LEED economizer option.
- Access for motor, blower, and blower drives.
- Adjustable motor sheave.
- Motor with automatic internal thermal protection.
- Modulating option includes fully programmable (factory set) variable frequency drive controlled by a differential pressure transducer designed to continuously monitor space pressure.

HORIZONTAL DISCHARGE CENTRIFUGAL POWER EXHAUST ECONOMIZER FOR YORK UNITS

ZF/ZH/ZR 102-150; ZJ/XP 078-150; BP 078, 102-150; DJ 150; DH 120, 150; DF 078, 150; DM 078,120, 150; DR 090-150

VOLTAGE	External Static (in. W.G)				FLA	Hp	Wt
	0.1	0.2	0.3	0.4			
230V/3Ph	3,360 cfm	3,200 cfm	3,120 cfm	3,040 cfm	5.6	2	238 Lbs. (Includes Economizer)
460V/3Ph					2.8		

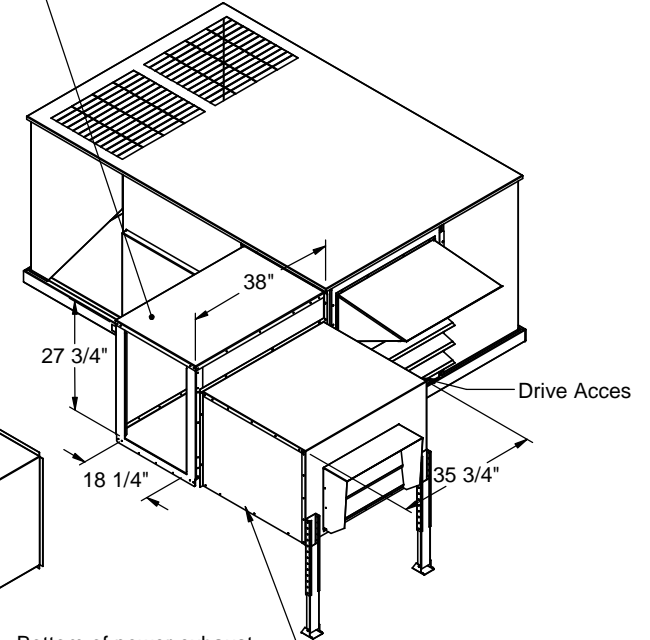
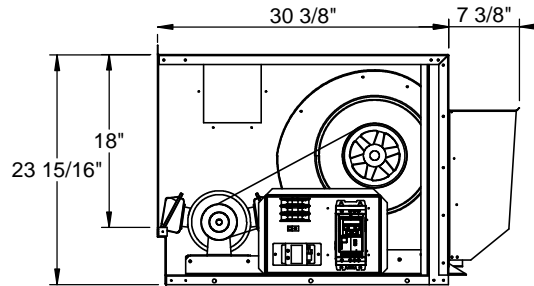
ProVent P/N	
CONSTANT VOLUME	MODULATING
PEHCPRLCDB25CS 208/230V 3Ph Selectable Dry Bulb	PEHCPRLCDB25MS 208/230V 3Ph Selectable Dry Bulb
PEHCPRLCEN25CS 208/230V 3Ph Enthalpy	PEHCPRLCEN25MS 208/230V 3Ph Enthalpy
PEHCPRLCDB46CS 460V 3Ph Selectable Dry Bulb	PEHCPRLCDB46MS 460V 3Ph Selectable Dry Bulb
PEHCPRLCEN46CS 460V 3Ph Enthalpy	PEHCPRLCEN46MS 460V 3Ph Enthalpy

Note: For factory installed LEED economizer / power exhaust option, part number, FLOWECPRD3715, must be added.

PLEASE NOTE:

1. Return air duct, dampers, return air grills are specific for each unit.
2. For proper electrical wire sizing, Provent power exhaust full load amps need to be added to equation.

Mounting Section Included With Power Exhaust



NOTE: If drive components are required on other side (RT) please specify when ordering.

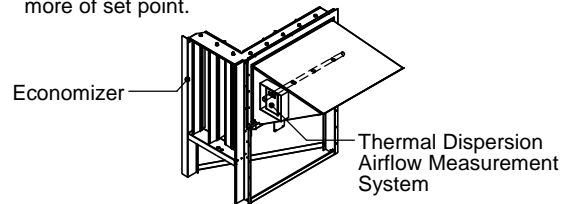
Field Supplied Duct Work

Bottom of power exhaust sets above unit base rail.

NOTE: Based on field supporting of duct, P.E. may require additional field support.

LEED ECONOMIZER / POWER EXHAUST OPTION

- ProVent P/N: FLOWECPRD3715
- Outside air measurement for dilution utilizing thermal dispersion technology and ASHRAE 62.1 compliant. Provides LEED credit by supplying feedback on ventilation system performance ensuring that the ventilation system maintains design requirements.
- Factory installed onto economizer/power exhaust standard.
- Provides analog outputs for BMS, visual or audible alert, and generates an alarm when conditions vary by 10% or more of set point.



Only Ruskin Company Model CD-60 is AMCA Certified



3847 WABASH DR.
MIRA LOMA, CA 91725

PHONE (951) 685-1101
FAX (619) 872-9799

SUBMITTED TO: _____
 COMPANY: _____
 JOB NAME: _____
 EQUIPMENT: _____
 NOTES: _____

FORM NO:
PE-90

DATE:
8/12/2016

PART NUMBER:
PEHCPRLCS SERIES

REV:
1

DRAWN BY:
JG