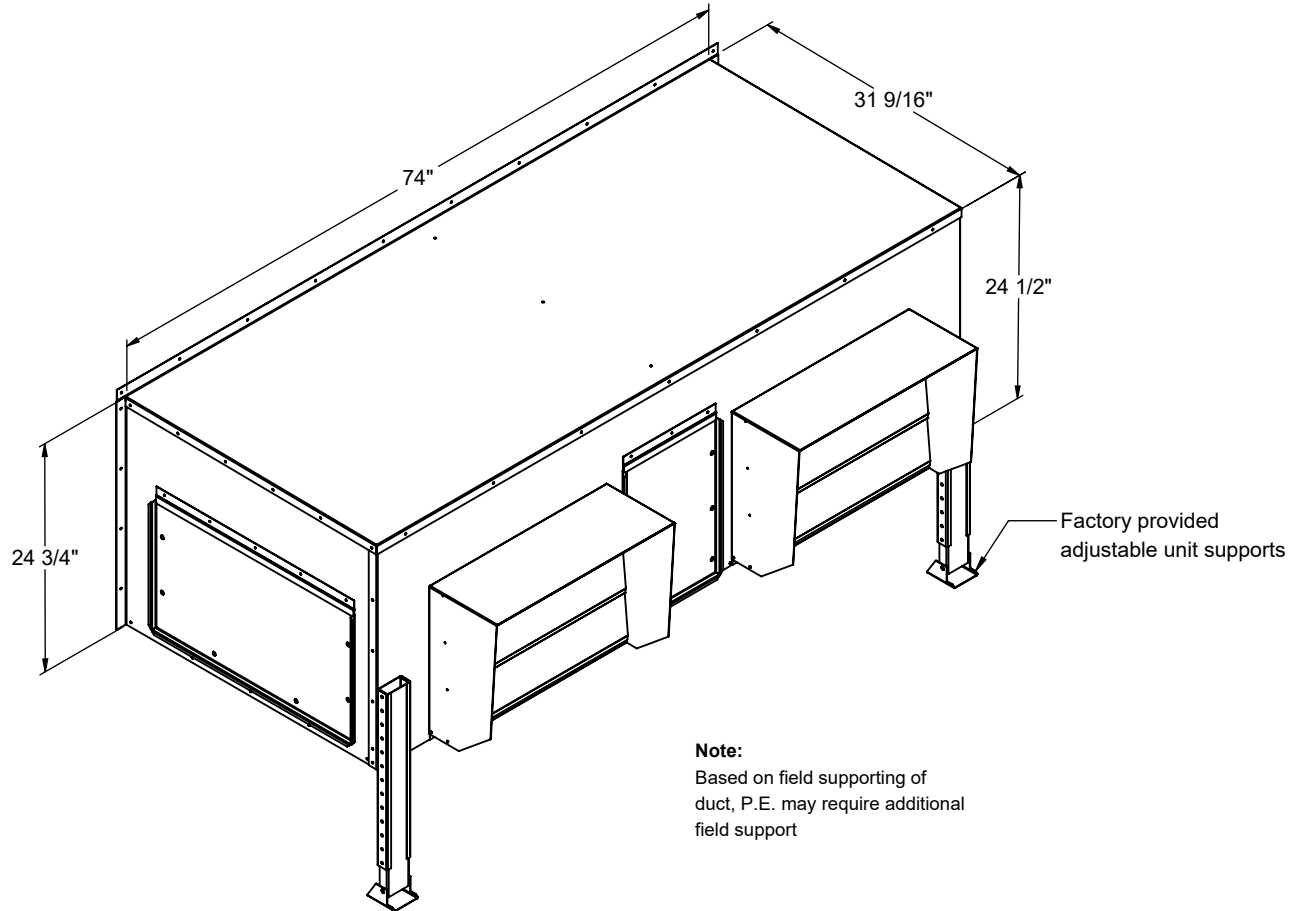


FEATURES	DOWN DISCHARGE CENTRIFUGAL POWER EXHAUST FOR SUN CHOICE UNITS				ProVent P/N		Wt.
					CONSTANT VOLUME 2 STAGE	MODULATING	
	15-20 TON				PEDCSAV152025CS 208/230V 3Ph	PEDCSAV152025MS 208/230V 3Ph	550 Lbs.
<ul style="list-style-type: none"> Constant volume factory set for 2 stage. Modulating option includes fully programmable (factory set) variable frequency drive controlled by a differential pressure transducer designed to continuously monitor space pressure. Access door for motor, blower, and blower drives. Adjustable motor sheave. Motor with automatic internal thermal protection. 	VOLTAGE	ProVent P/N	External Static (in. W.G)	FLA	Hp	PEDCSAV152046CS 460V 3Ph	
	230V/3Ph	PEDCSAV152025CS PEDCSAV152025MS	8,000 cfm	11.2	4 Hp Total (Qty. 2, 2 Hp)		
	460V/3Ph	PEDCSAV152046CS PEDCSAV152046MS		5.6			


- Constant volume factory set for 2 stage.
- Modulating option includes fully programmable (factory set) variable frequency drive controlled by a differential pressure transducer designed to continuously monitor space pressure.
- Access door for motor, blower, and blower drives.
- Adjustable motor sheave.
- Motor with automatic internal thermal protection.

PLEASE NOTE:

- Return air duct, dampers, return air grills are specific for each unit.
- For proper electrical wire sizing, Provent power exhaust full load amps need to be added to equation.



Note:
Based on field supporting of duct, P.E. may require additional field support

	3847 WABASH DRIVE MIRA LOMA, CA 91725 PHONE (951) 685-1101 FAX (619) 872-9799	SUBMITTED TO: _____ COMPANY: _____ JOB NAME: _____ EQUIPMENT: _____ NOTES: _____	FORM NO: - DATE: 2/2/2022	PART NUMBER: PEDCSAV1520 REV: - DRAWN BY: ALL
--	--	---	--	---