

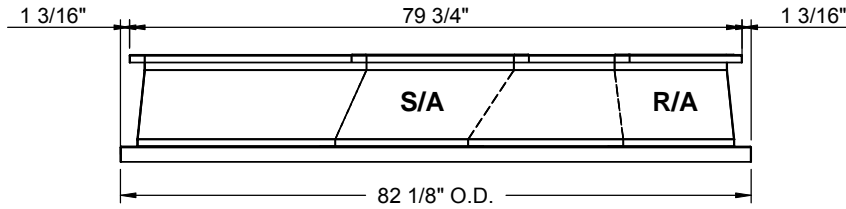
**FEATURES:**

- Gasketing package provided.
- Insulation: 1"-1.5 lb. Density.
- Estimated Weight: 135 Lbs.
- All Galvanized Welded Construction.

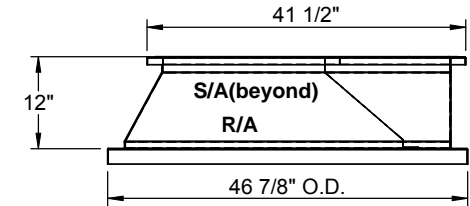
**CURB ADAPTER**

EXISTING TRANE:  
 TCD/YCD 061C-074C; 075A,B,C 086C, 090A,B,C,D, 091C,D, 102C  
 TCD120C YCD 120C LOW/MED HEAT; WCD 075A,C, 090A,C

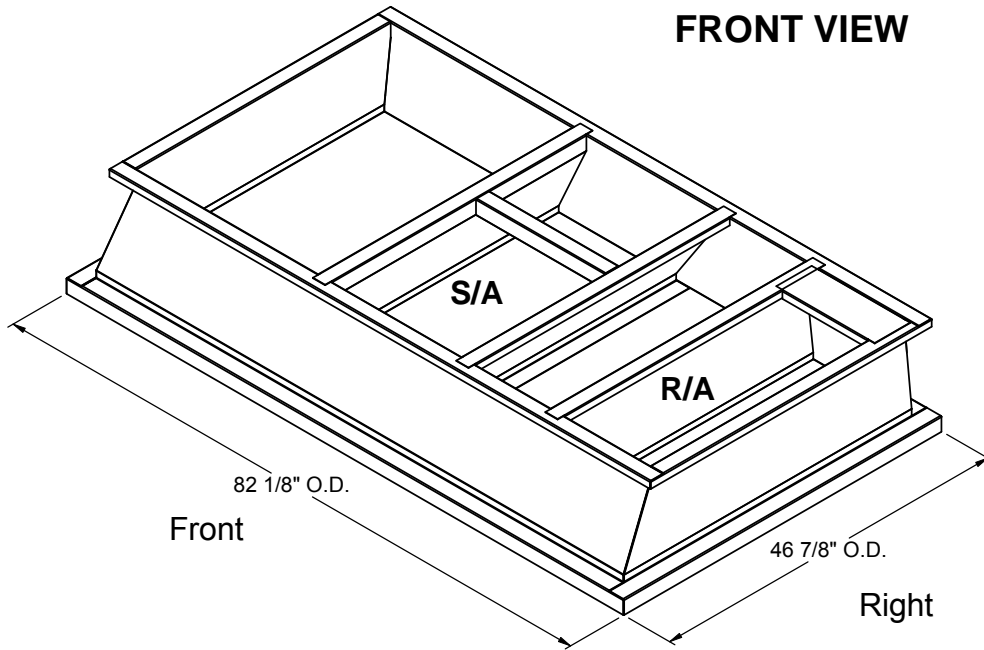
FOR ALLIED UNITS:  
 KCA, KGA, TCA, TGA, THA 024-072; KHA 024-060; LCH, LGH 036-072



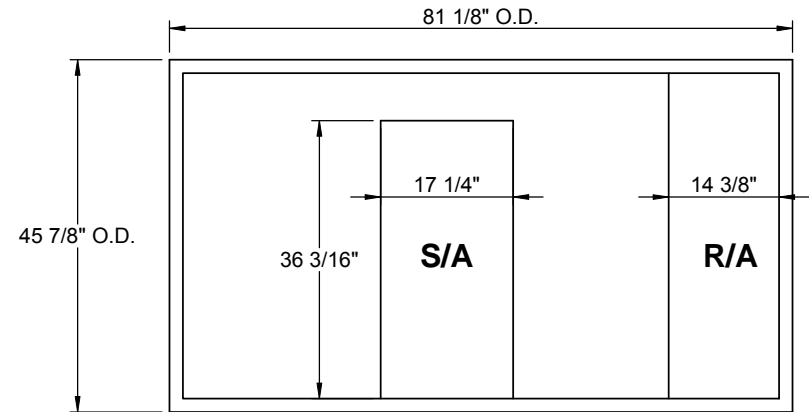
**FRONT VIEW**



**RIGHT VIEW**



**ISOMETRIC VIEW**



**EXISTING CURB**



3847 WABASH DRIVE  
 MIRA LOMA, CA 91752

PHONE (951) 685-1101  
 FAX (619) 872-9799

SUBMITTED TO: \_\_\_\_\_  
 COMPANY: \_\_\_\_\_  
 JOB NAME: \_\_\_\_\_  
 EQUIPMENT: \_\_\_\_\_  
 NOTES: \_\_\_\_\_

FORM NO:  
 -

PART NUMBER:  
 CA-ABX-TRN02

DATE:  
 12/18/2012

REV:  
 -

DRAWN BY:  
 CNG