

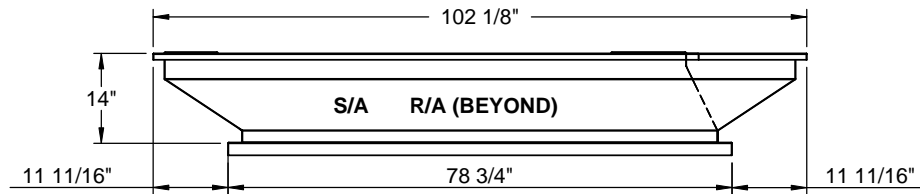
**FEATURES:**

- Gasketing package provided.
- Insulation: 1"-1.5 lb. Density.
- Estimated Weight: 315 Lbs.
- All Galvanized Welded Construction.

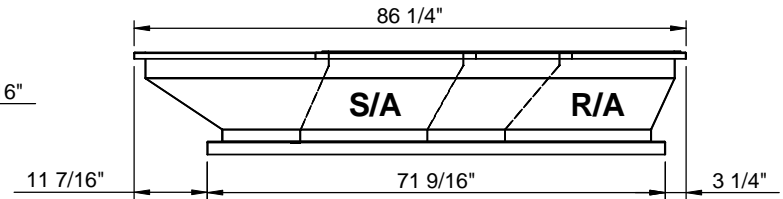
**ROOF CURB**

EXISTING CARRIER:  
48/50 PQ, DP,DR 012-024: 48/50 TM 016-024: TJ 016-028: HJ 015-017: 50HJQ 014-016

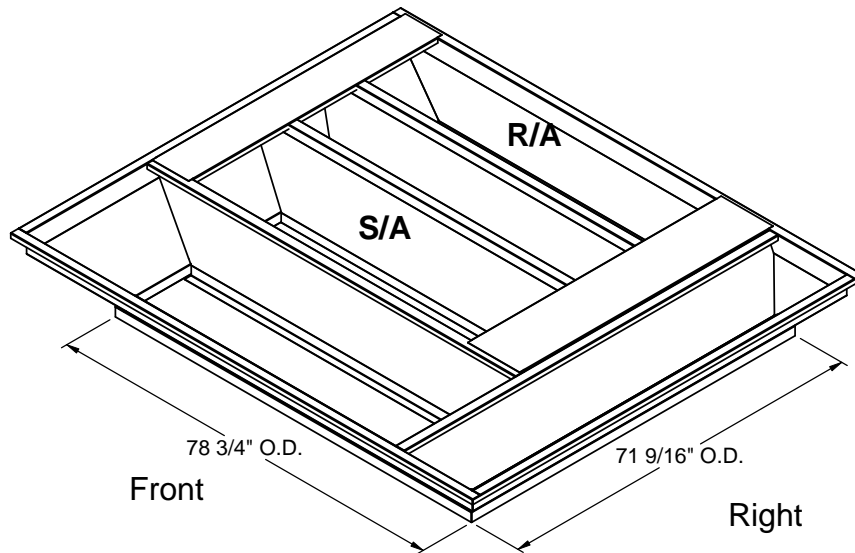
FOR ALLIED UNITS:  
LGH/LCH 156-240H, 300S; KGA/KCA 180-300S, KHA 180-240S



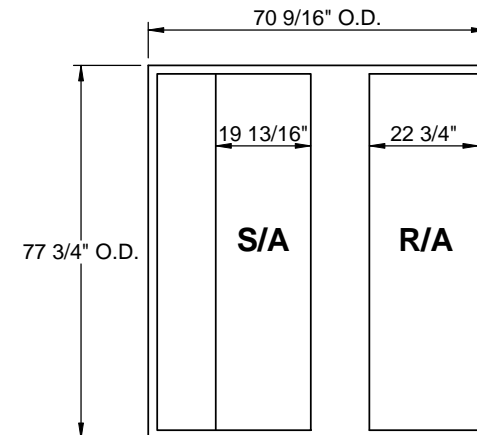
**FRONT VIEW**



**RIGHT VIEW**



**ISOMETRIC VIEW**



**EXISTING CURB**



3847 WABASH DRIVE  
MIRA LOMA, CA 91752

PHONE (951) 685-1101  
FAX (619) 872-9799

SUBMITTED TO: \_\_\_\_\_  
COMPANY: \_\_\_\_\_  
JOB NAME: \_\_\_\_\_  
EQUIPMENT: \_\_\_\_\_  
NOTES: \_\_\_\_\_

FORM NO:

PART NUMBER:  
CA-CBX-CAR02

DATE:  
4/7/2014

REV:  
-

DRAWN BY:  
CNG