

FEATURES

- Roof curb sides and ends are 16 ga. galvanized steel.
- Perimeter upper frame supplied with pre-punched assembly holes.
- Assembly hardware provided for filed assembly.
- Gasketing package provided.
- Heat treated wood nailer provided.
- Insulated deck pans included.

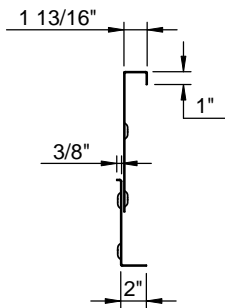
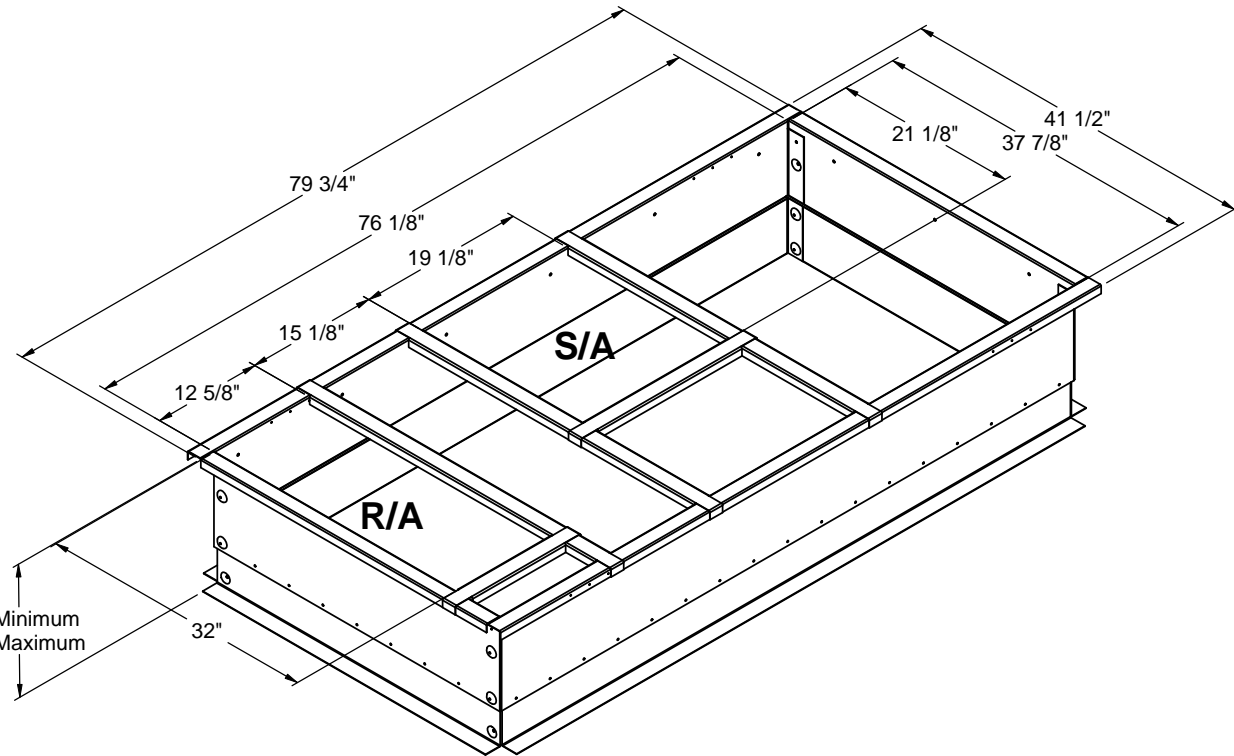
Notes

- Ductwork must be 3/4" smaller than duct openings show.
- Adjust up to 1" in 12" pitch in either direction.
- Attach ductwork to roof curb. Flanges of duct rest on top of the curb. Support ductwork below the curb.

KNOCK DOWN ADJUSTABLE PITCH / ADJUSTABLE HEIGHT CURBS FOR ALLIED UNITS

LGH/LCH 036-072
KGA/KCA 024-072 S; KHA 024-060 S

PROVENT P/N	A	B	EST. WEIGHT
CBAKDABX08	8"	12"	94 Lbs.
CBAKDABX11	11"	15"	123 Lbs.
CBAKDABX14	14"	19"	145 Lbs.
CBAKDABX24	24"	29"	214 Lbs.



DETAIL



3847 WABASH DR.
MIRA LOMA, CA 91725

PHONE (951) 685-1101
FAX (619) 872-9799

SUBMITTED TO: _____
COMPANY: _____
JOB NAME: _____
EQUIPMENT: _____
NOTES: _____

FORM NO:
CBAKD-203

PART NUMBER:
CBAKDABK SERIES

DATE:
10/3/2013

REV:
-

DRAWN BY:
FMM