

FEATURES

- Fully welded construction.
- 10 Ga. galvanized support frame.
- Estimated weight - 164 Lbs.
- Gasketing package provided.
- Restraints and springs have OSHPD pre-approval, OPA #0070.

VIBRATION ISOLATION FRAME FOR HORIZONTAL ALLIED UNITS - LOW PROFILE

ZGA, ZCA, ZHA 036-060

Unit Model

Power Exhaust?

Provent P/N

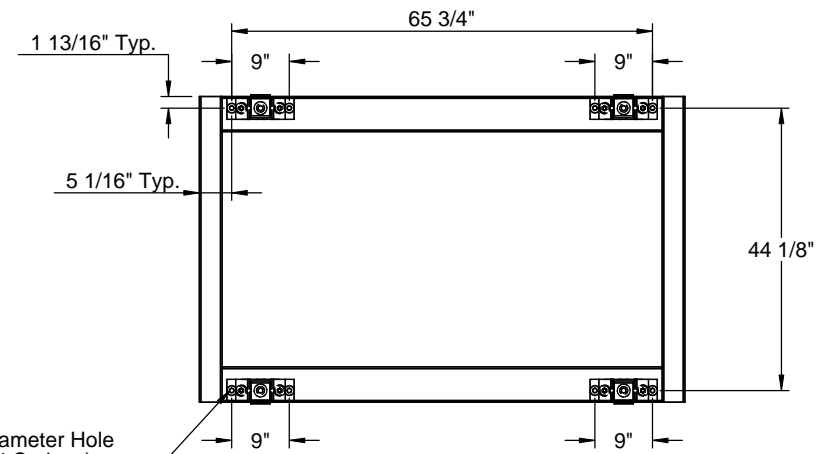
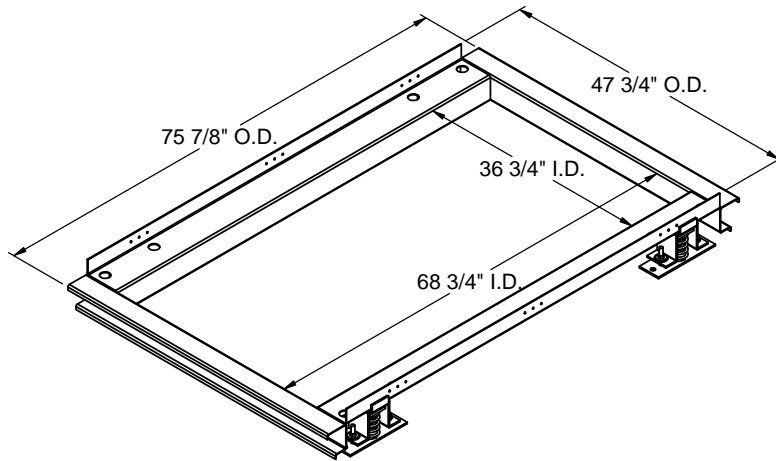
036-060

NO

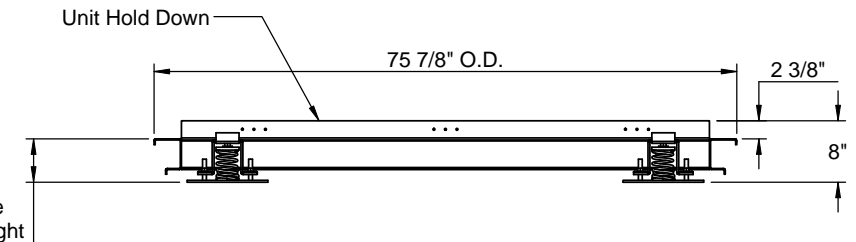
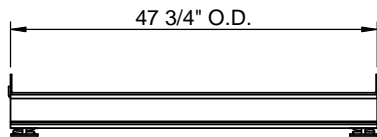
CBISHABZ1

YES

CBISHABZP1



Anchorage Location Detail



5 5/8" Approximate Oper. Height



3847 WABASH DR.
MIRA LOMA, CA 91725

PHONE (951) 685-1101
FAX (619) 872-9799

SUBMITTED TO: _____
COMPANY: _____
JOB NAME: _____
EQUIPMENT: _____
NOTES: _____

FORM NO:
CBISH-201

PART NUMBER:
CBISHABZ - SERIES

DATE:
4/4/2014

REV:
-

DRAWN BY:
CNG