

FEATURES

- Roof curb perimeter made of 16 ga. galvanized steel.
- Gasketing package provided.
- Heat treated wood nailer provided.
- Pitched, adjustable pitch/adjustable height, welded, different height, isolation and calculated curbs are available.

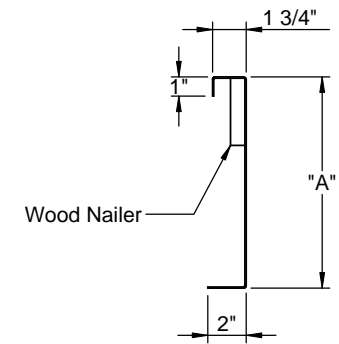
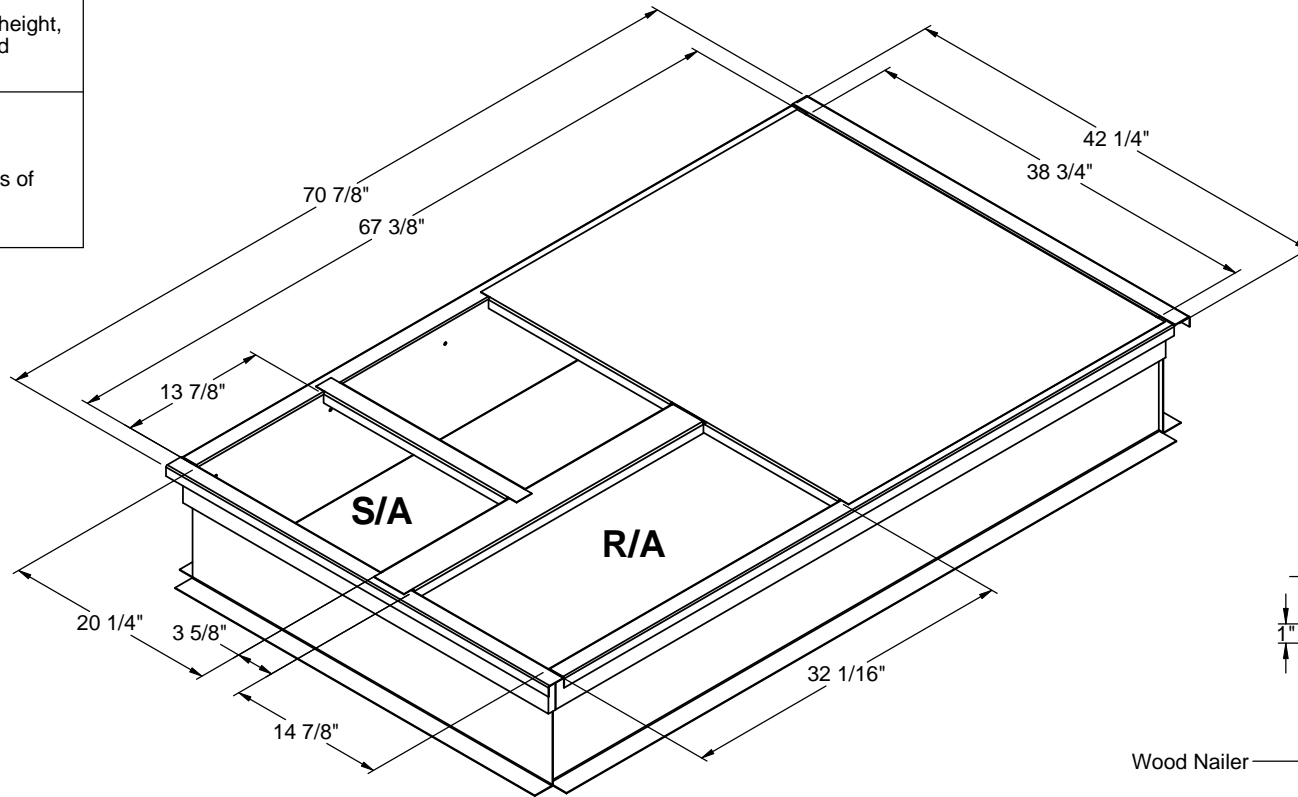
NOTES

- Attach ductwork to roof curb. Flanges of duct rest on top of the curb. Support ductwork below the curb.

WELDED ROOF CURB FOR ALLIED UNITS

ZGA, ZCA, ZHA 036-060

PROVENT P/N	A	EST. WEIGHT
CBWABZ08	8"	83 Lbs.
CBWABZ11	11"	94 Lbs.
CBWABZ14	14"	105 Lbs
CBWABZ24	24"	144 Lbs



CROSS SECTION DETAIL



3847 WABASH DR.
MIRA LOMA, CA 91725

PHONE (951) 685-1101
FAX (619) 872-9799

SUBMITTED TO: _____
 COMPANY: _____
 JOB NAME: _____
 EQUIPMENT: _____
 NOTES: _____

FORM NO:
-

PART NUMBER:
CBW-201

DATE:
4/25/2013

REV:
-

DRAWN BY:
CNG