

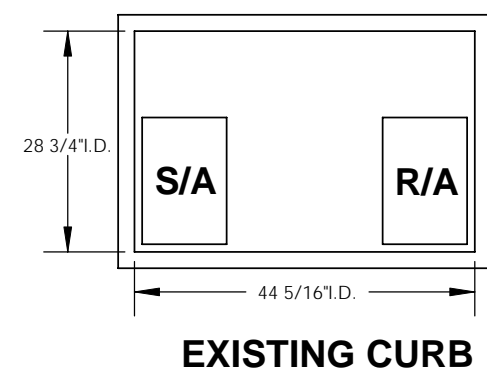
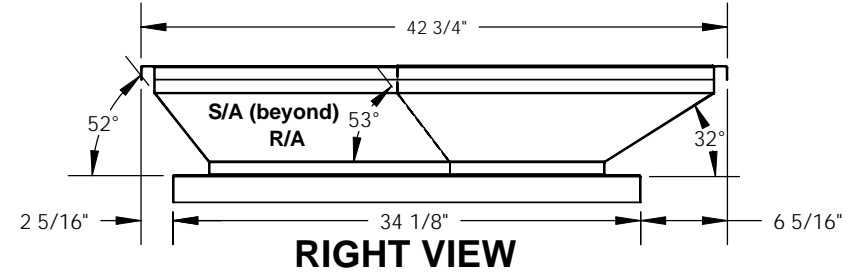
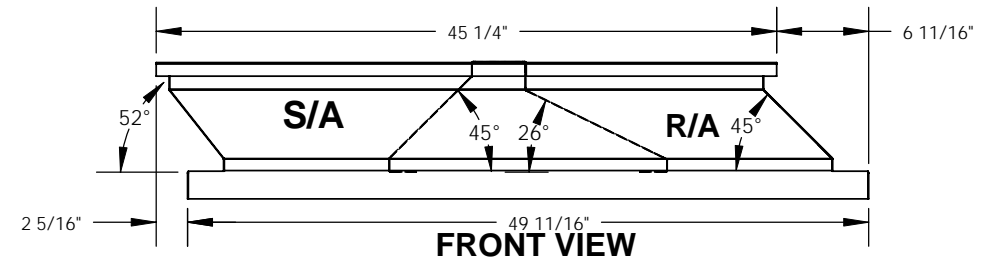
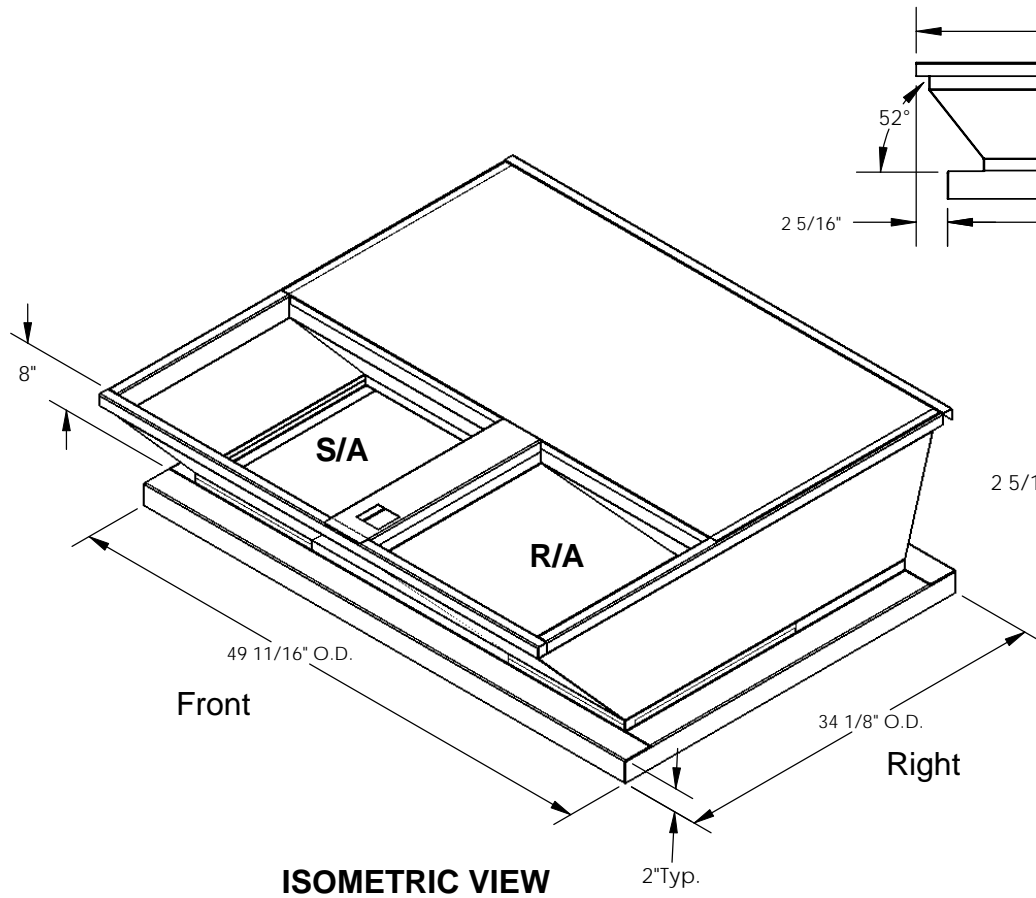
FEATURES:

- Material: Bright Galv.
- Gasketing package provided.
- Insulation: 1"-1.5 lb. Density.
- Estimated Weight: 77 Lbs.
- All Welded Construction.

CURB ADAPTER

EXISTING CARRIER: 48/50 GS,GX,JS,JX,GP,JL Small Cabinet
 EXISTING BRYANT: 582A,601A,701A,583A,702A, 583B, 702B Small Cabinet

FOR YORK UNITS:
 DEB/BHH/BHA 018-060: DNZ/DEZ/DNP/DEM/BHZ/BHP 024-060: DEX 024-048:
 DNH/DEH 030-060: DNA 036-060: DNY/BHX 024, 036, 048, 060: DNX 024, 036, 048: DEY 060



1392 EAST PALOMAR STREET
 SUITE 403-234
 CHULA VISTA, CA 91913
 PHONE (619) 498-9246
 FAX (619) 872-9799

SUBMITTED TO: _____
 COMPANY: _____
 JOB NAME: _____
 EQUIPMENT: _____
 NOTES: _____

FORM NO: _____
 DATE: 9/23/2009

PART NUMBER: CA-AFF1860-CAR01
 REV: 2
 DRAWN BY: COC