

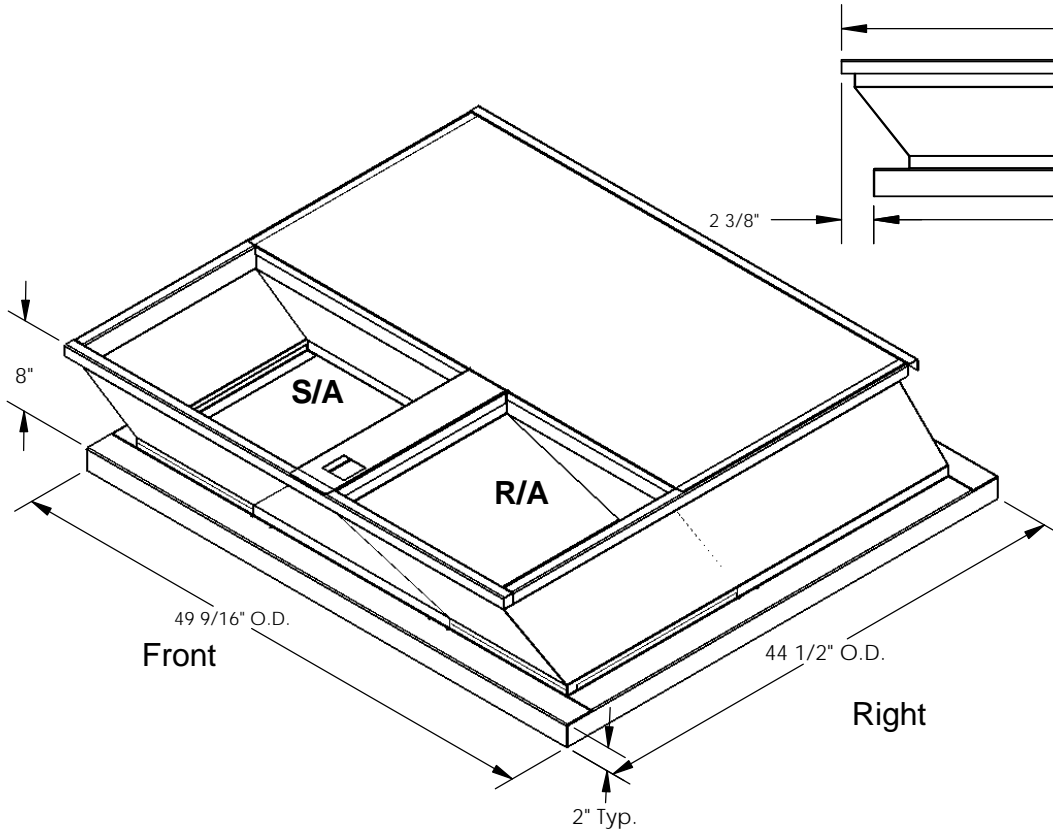
**FEATURES:**

- Material: Bright Galv.
- Gasketing package provided.
- Insulation: 1"-1.5 lb. Density.
- Estimated Weight: 76 Lbs.
- All Welded Construction.

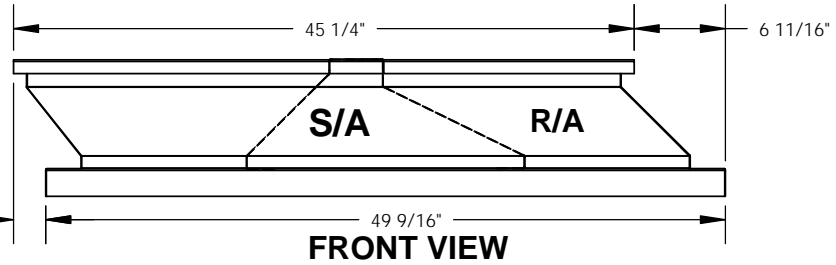
**CURB ADAPTER**

EXISTING CARRIER: 48/50 GS,GX,JS,JX,GP,JL Large Cabinet  
 EXISTING BRYANT: 582A,601A,701A,583A,702A, 583B, 702B Large Cabinet

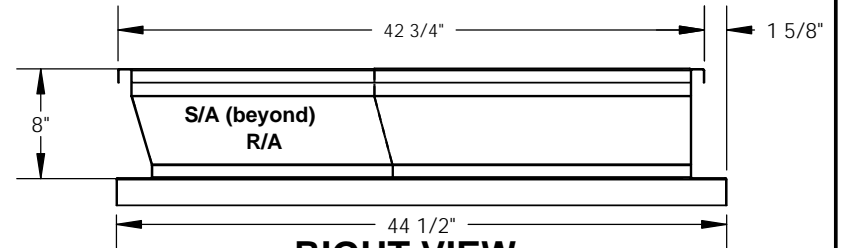
FOR YORK UNITS:  
 DEB/BHH/BHA 018-060: DNZ/DEZ/DNP/DEM/BHZ/BHP 024-060: DEX 024-048:  
 DNH/DEH 030-060: DNA 036-060: DNY/BHX 024, 036, 048, 060: DNX 024, 036, 048: DEY 060



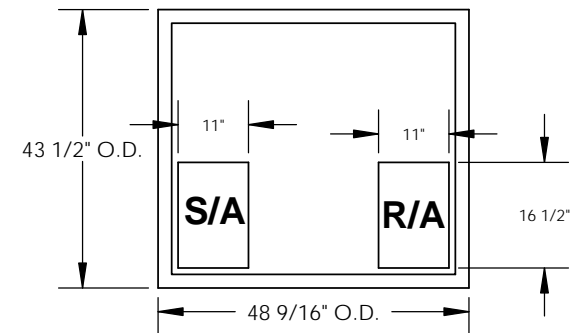
**ISOMETRIC VIEW**



**FRONT VIEW**



**RIGHT VIEW**



**EXISTING CURB**



3847 WABASH DRIVE  
 MIRA LOMA, CA 91752

PHONE (951) 685-1101  
 FAX (619) 872-9799

SUBMITTED TO: \_\_\_\_\_  
 COMPANY: \_\_\_\_\_  
 JOB NAME: \_\_\_\_\_  
 EQUIPMENT: \_\_\_\_\_  
 NOTES: \_\_\_\_\_

FORM NO: \_\_\_\_\_  
 -  
 DATE: 6/16/2015

PART NUMBER: CA-AFF1860-CAR02  
 REV: 2  
 DRAWN BY: CNG