

**FEATURES:**

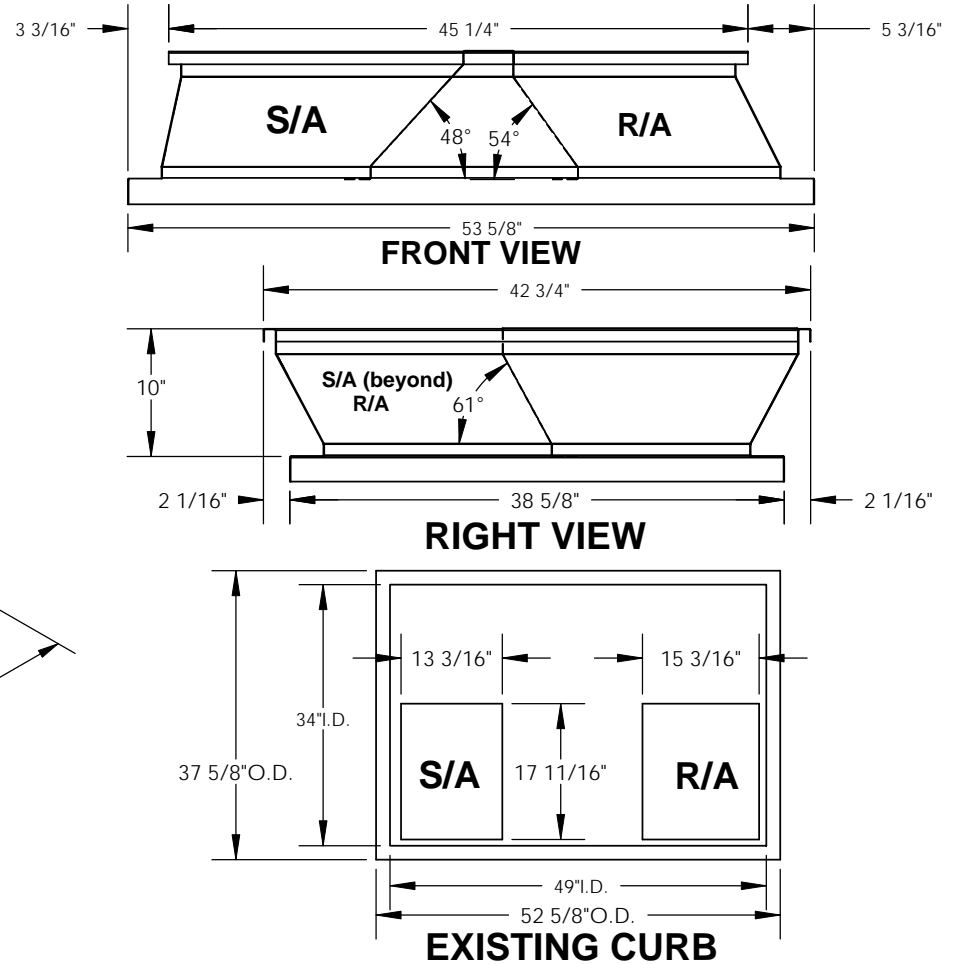
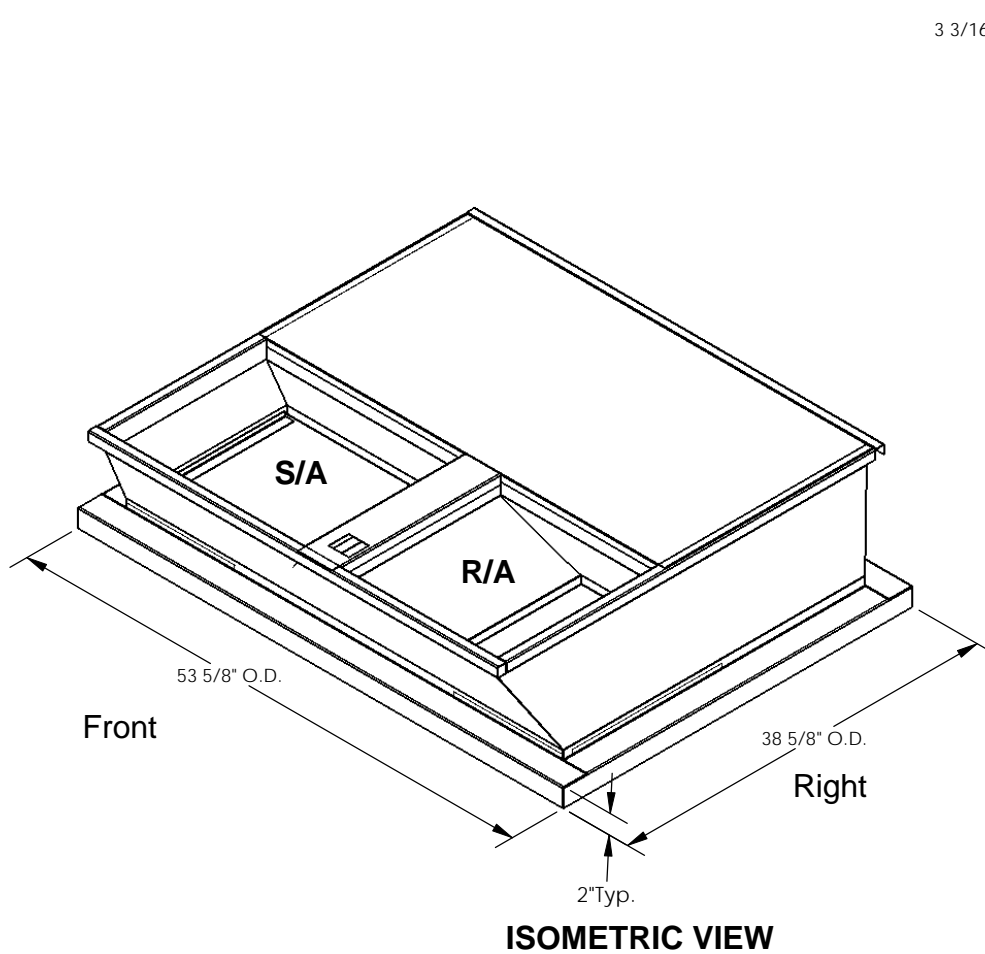
- Material: Bright Galv.
- Gasketing package provided.
- Insulation: 1"-1.5 lb. Density.
- Estimated Weight: 83 Lbs.
- All Welded Construction.

**CURB ADAPTER**

EXISTING CARRIER: CHA15 261-413

FOR YORK UNITS:

DEB/BHH/BHA 018-060: DNZ/DEZ/DNP/DEM/BHZ/BHP 024-060: DEX 024-048:  
 DNH/DEH 030-060: DNA 036-060: DNY/BHX 024, 036, 048, 060: DNX 024, 036, 048: DEY 060



3847 WABASH DRIVE  
 MIRA LOMA, CA 91752  
 PHONE (951) 685-1101  
 FAX (619) 872-9799

SUBMITTED TO: \_\_\_\_\_  
 COMPANY: \_\_\_\_\_  
 JOB NAME: \_\_\_\_\_  
 EQUIPMENT: \_\_\_\_\_  
 NOTES: \_\_\_\_\_

FORM NO: \_\_\_\_\_  
 -  
 DATE: 5/16/2011

PART NUMBER: CA-AFF1860-LEN09  
 REV: 0  
 DRAWN BY: CNG