

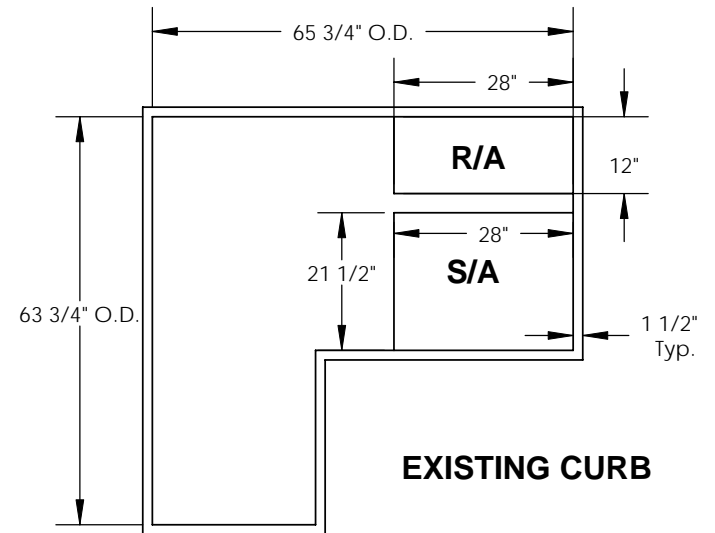
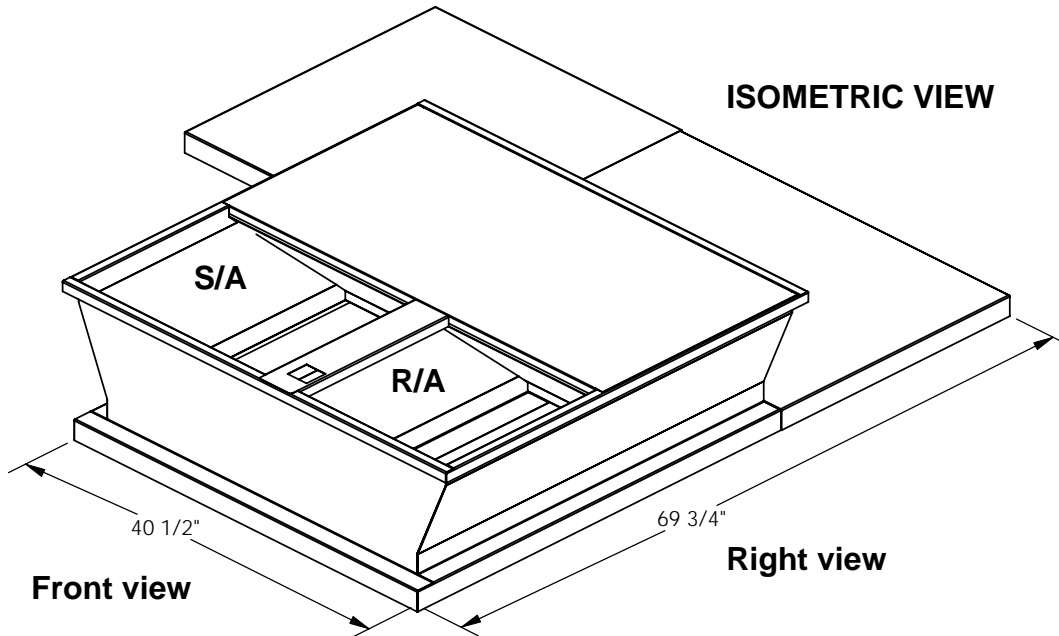
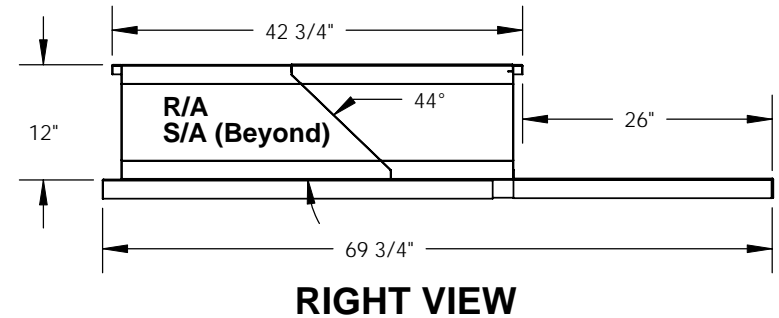
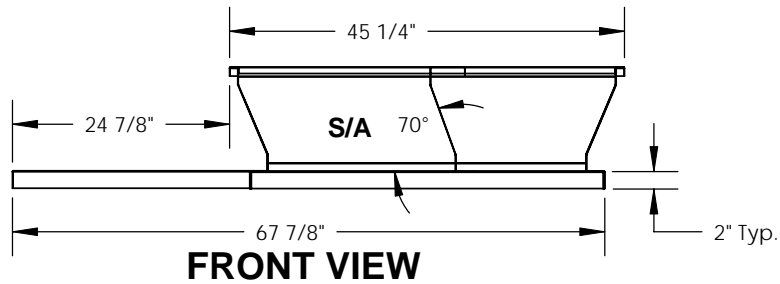
**FEATURES:**

- Gasketing package provided.
- Insulation: 1"-1.5 lb. Density.
- Estimated Weight: 127 Lbs.
- All Galvanized Welded Construction.

**CURB ADAPTER**

EXISTING TANE:  
BYC 042-060G

FOR YORK UNITS:  
DEB/DNZ/DEZ/DNP/DEM/BHH/BHA/BHZ/BHP 018-060:  
DEX/DNH/DEH/DNA/DNY/DNX/BHX 024-060: DEY 060



1392 EAST PALOMAR STREET  
SUITE 403-234  
CHULA VISTA, CA 91913  
  
PHONE (619) 498-9246  
FAX (619) 872-9799

SUBMITTED TO: \_\_\_\_\_  
COMPANY: \_\_\_\_\_  
JOB NAME: \_\_\_\_\_  
EQUIPMENT: \_\_\_\_\_  
NOTES: \_\_\_\_\_

FORM NO: \_\_\_\_\_  
  
DATE: 4/28/2010

PART NUMBER: CA-AFF1860-TRN11  
  
REV: -  
DRAWN BY: JAHA