

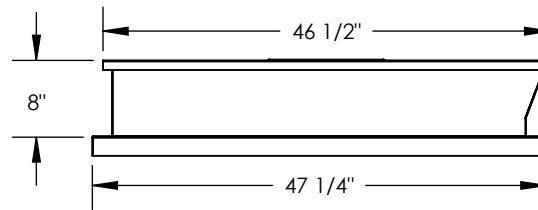
FEATURES:

- Gasketing package provided.
- Insulation: 1"-1.5 lb. Density.
- Estimated Weight: 72 Lbs.
- All Galvanized Welded Construction.

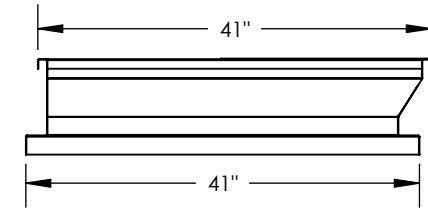
CURB ADAPTER

EXISTING CARRIER:
FACTORY CURB SMALL CABINET 48/50N* 018-060

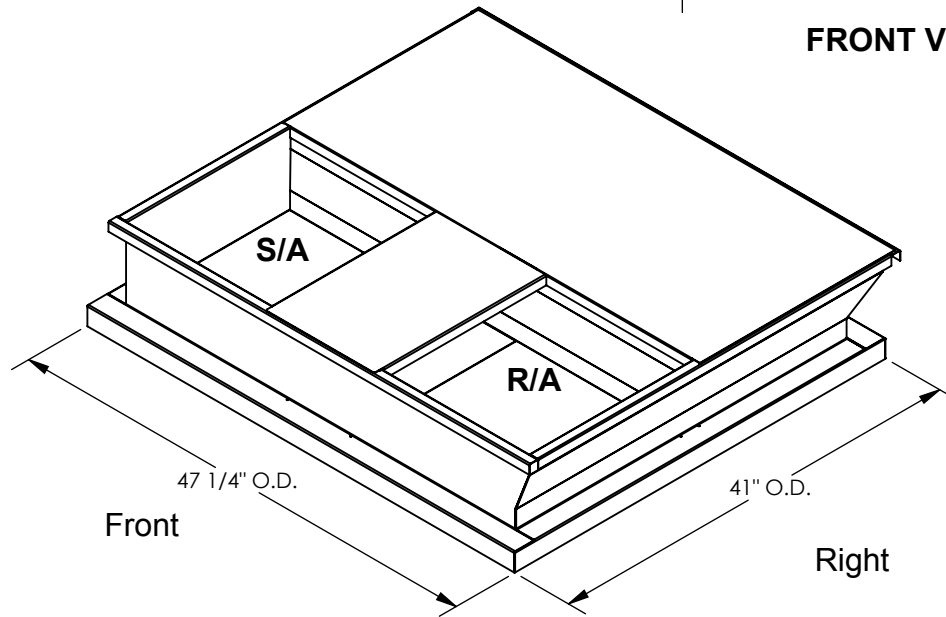
FOR YORK UNITS:
P**4B



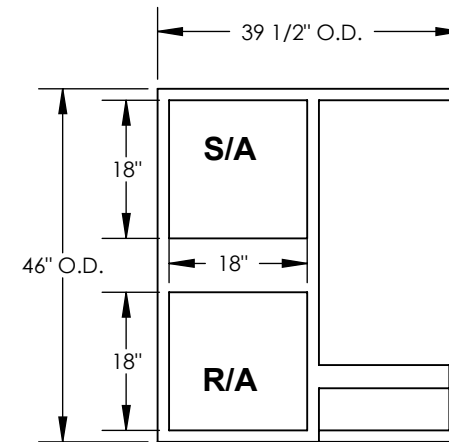
FRONT VIEW



RIGHT VIEW



ISOMETRIC VIEW



EXISTING CURB



3847 WABASH DR.
MIRA LOMA, CA 91725

PHONE (951) 685-1101
FAX (619) 872-9799

SUBMITTED TO: _____
COMPANY: _____
JOB NAME: _____
EQUIPMENT: _____
NOTES: _____

FORM NO: _____
DATE: 8/22/2016

PART NUMBER:
CA-LXL-CAR07
REV: 1

DRAWN BY:
ALL