

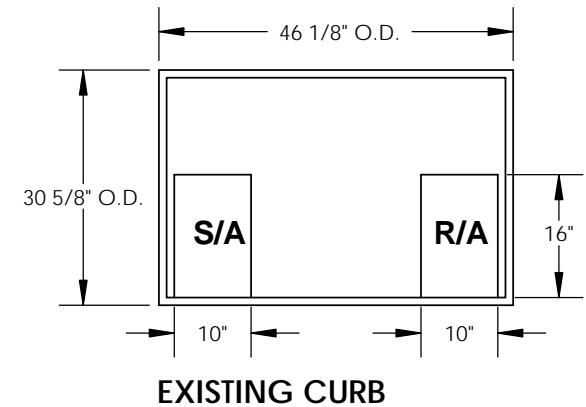
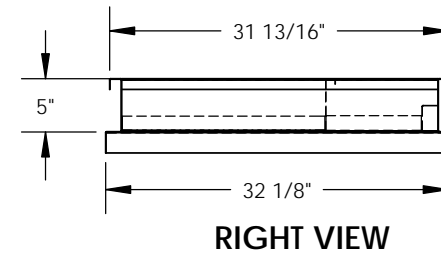
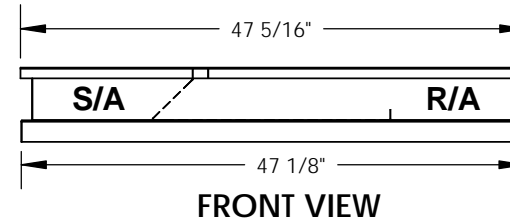
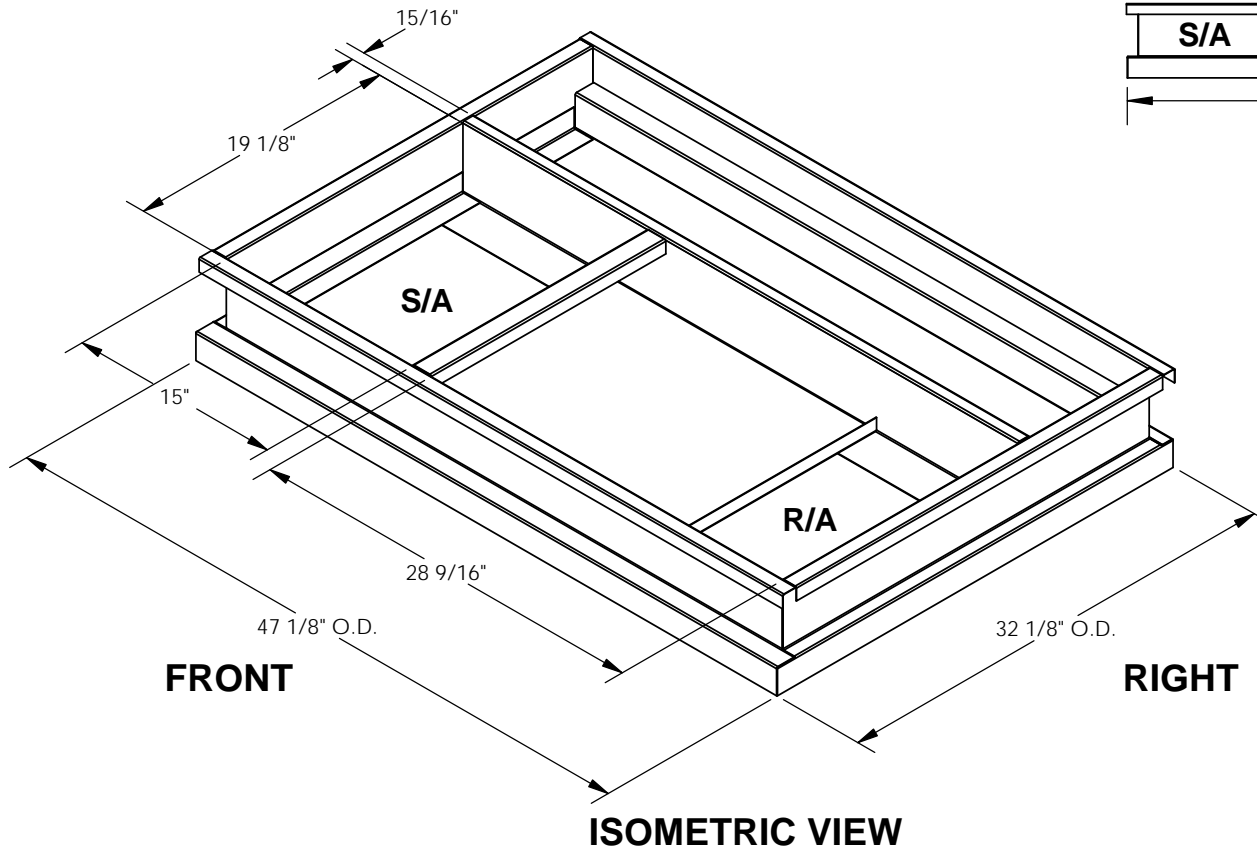
FEATURES:

- Material: 20 Ga. Bright Galv.
- Gasketing package provided.
- Insulation: 1"-1.5 lb. Density.
- Estimated Weight: 32 Lbs.

CURB ADAPTER

EXISTING CARRIER:
48/50 ES-A 024-036

FOR YORK UNITS:
PCG4 024-042



3847 WABASH DR.
MIRA LOMA, CA 91725

PHONE (951) 685-1101
FAX (619) 872-9799

SUBMITTED TO: _____
 COMPANY: _____
 JOB NAME: _____
 EQUIPMENT: _____
 NOTES: _____

FORM NO:
-

PART NUMBER:
CA-LXS-CAR01

DATE:
6/9/2015

REV:
1

DRAWN BY:
CNG