

FEATURES:

- Gasketing package provided.
- Insulation: 1"-1.5 lb. Density.
- Estimated Weight: 75 Lbs.
- All Galvanized Welded Construction.

NOTE:

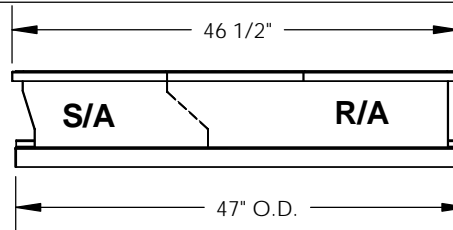
Similar sized curb exists on other adapters.
Please ensure existing curb is accurate on submittal

CURB ADAPTER

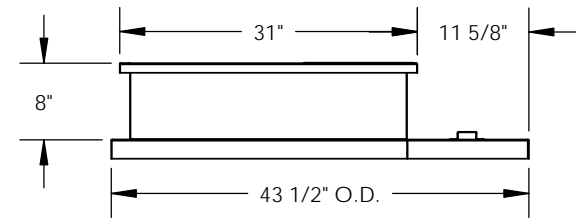
EXISTING CARRIER:
Small Cabinet: 48SB, N, 50NE, NQ

EXISTING BRYANT:
Small Cabinet: 587A, 584A, 580A, 584B, 554A, 6564A

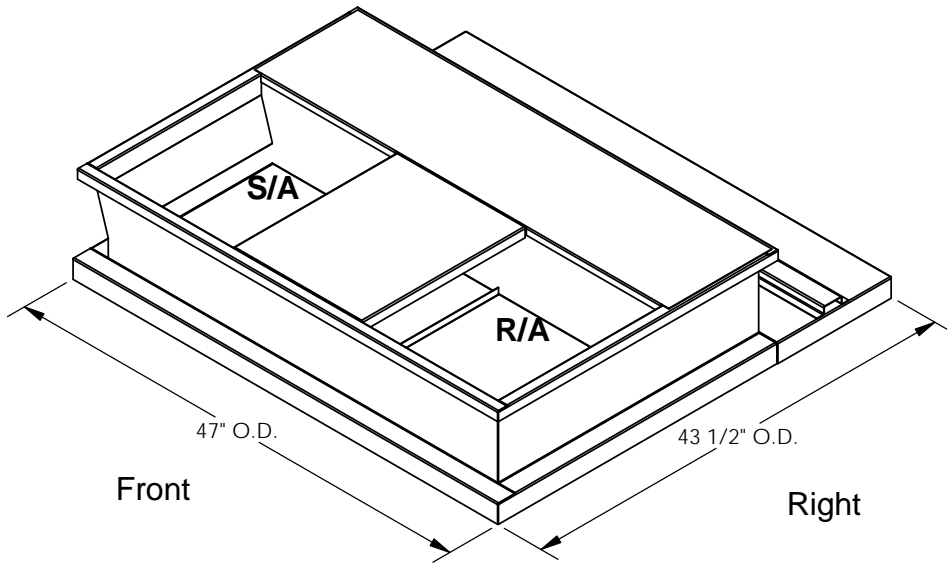
FOR YORK UNITS:
P***A CABINETS



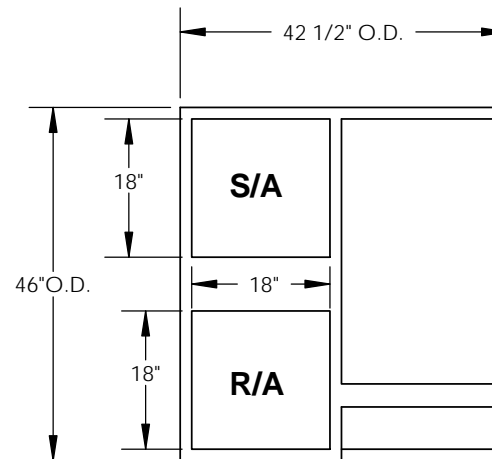
FRONT VIEW



RIGHT VIEW



ISOMETRIC VIEW



EXISTING CURB



3847 WABASH DRIVE
MIRA LOMA, CA 91752

PHONE (951) 685-1101
FAX (619) 872-9799

SUBMITTED TO: _____
COMPANY: _____
JOB NAME: _____
EQUIPMENT: _____
NOTES: _____

FORM NO: _____
DATE: 1/23/2017

PART NUMBER:
CA-LXS-CAR10
REV: 1
DRAWN BY: FMM