

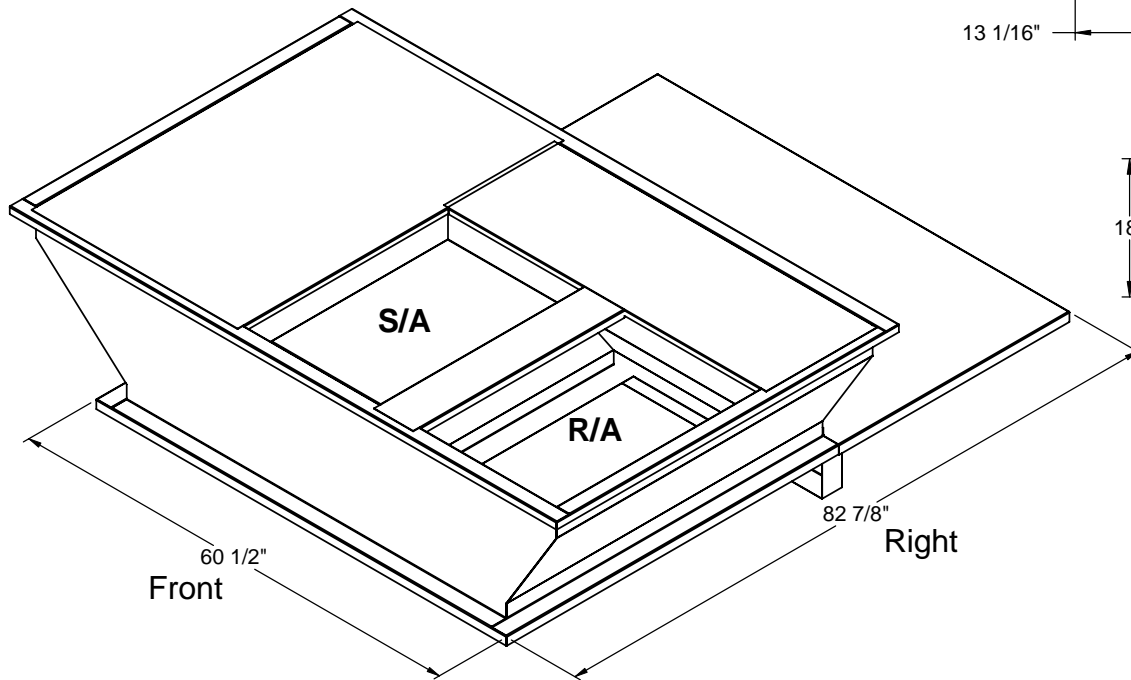
FEATURES:

- Gasketing package provided.
- Insulation: 1"-1.5 lb. Density.
- Estimated Weight: 265 Lbs.
- All Galvanized Welded Construction.

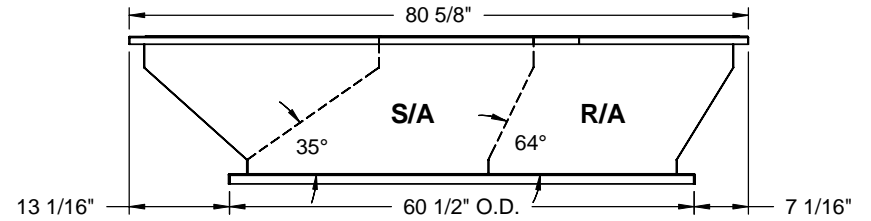
CURB ADAPTER

EXISTING BRYANT:
548B, 558B, 580B 090-150

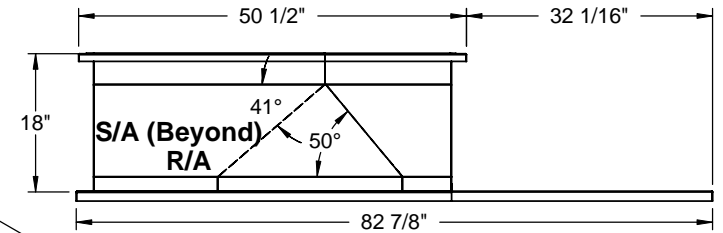
FOR YORK UNITS:
ZH/ZR/XP/DH/DM/DF/DR/BP 078-150: DJ 150



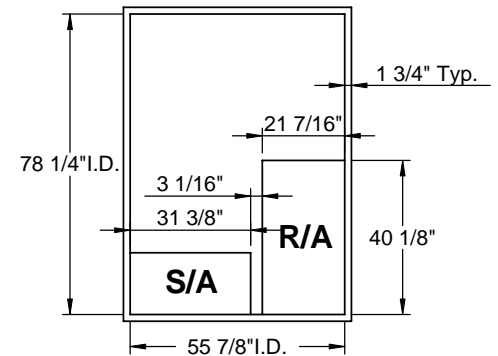
ISOMETRIC VIEW



FRONT VIEW



RIGHT VIEW



EXISTING CURB



1392 EAST PALOMAR STREET
SUITE 403-234
CHULA VISTA, CA 91913

PHONE (619) 498-9246
FAX (619) 872-9799

SUBMITTED TO: _____
COMPANY: _____
JOB NAME: _____
EQUIPMENT: _____
NOTES: _____

FORM NO:
-

PART NUMBER:
CA-PRD7815-BDP02

DATE:
7/13/2009

REV:
4

DRAWN BY:
COC