

FEATURES:

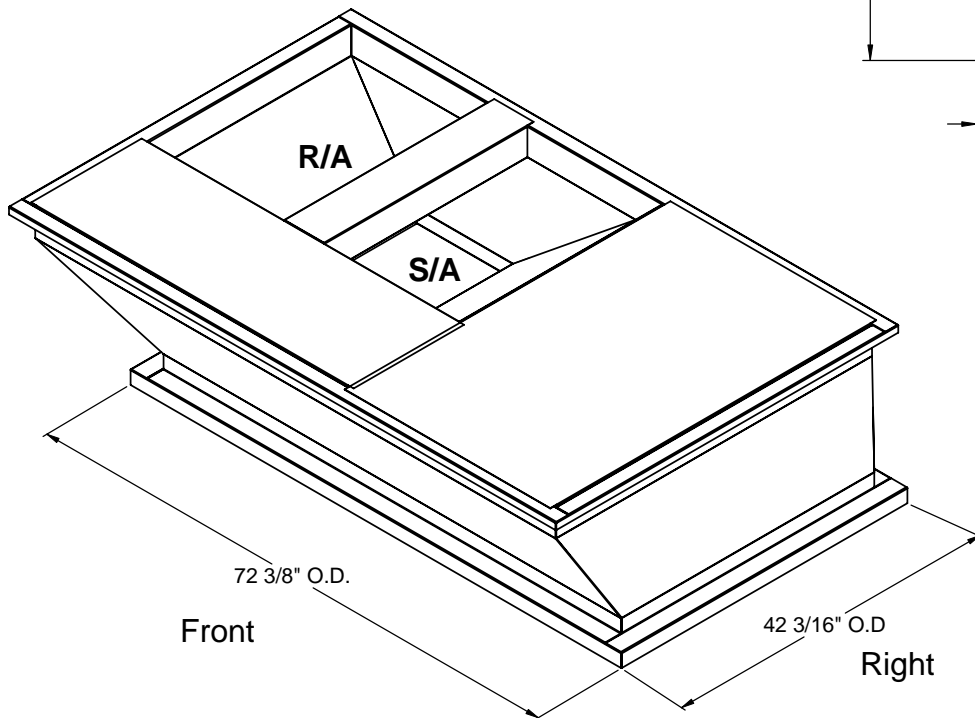
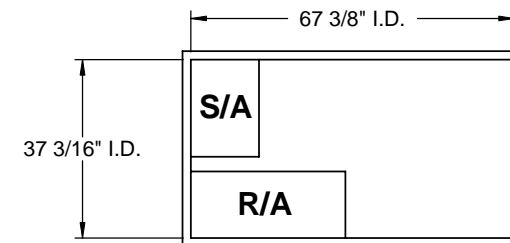
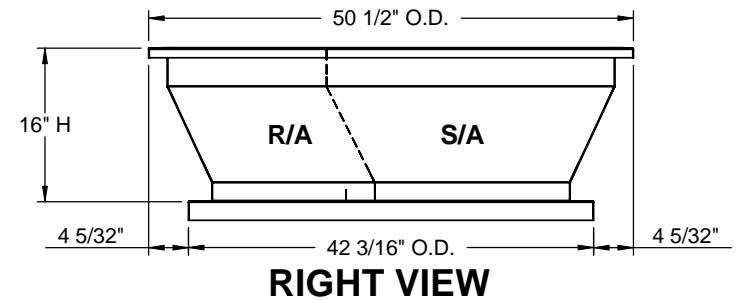
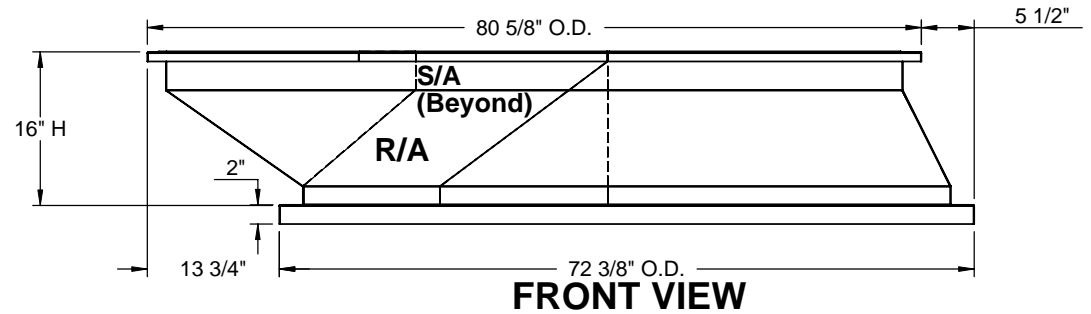
- Gasketing package provided.
- Insulation: 1"-1.5 lb. Density.
- Estimated Weight: 215 Lbs.
- All Galvanized Welded Construction.

CURB ADAPTER

EXISTING CARRIER:
48/50 HJ, TJ, TF, TM, LJ, DJ 004-007

EXISTING BRYANT:
548/580 C, D, F: 551 A, B 036-072

FOR YORK UNITS:
ZH/ZR/XP/DH/DM/DF/DR/BP 078-150: DJ 150



ISOMETRIC VIEW

EXISTING CURB



1392 EAST PALOMAR STREET
SUITE 403-234
CHULA VISTA, CA 91913

PHONE (619) 498-9246
FAX (619) 872-9799

SUBMITTED TO: _____
COMPANY: _____
JOB NAME: _____
EQUIPMENT: _____
NOTES: _____

FORM NO: _____

PART NUMBER:
CA-PRD7815-CAR08

DATE:
5/12/2010

REV:
2

DRAWN BY:
FMM