

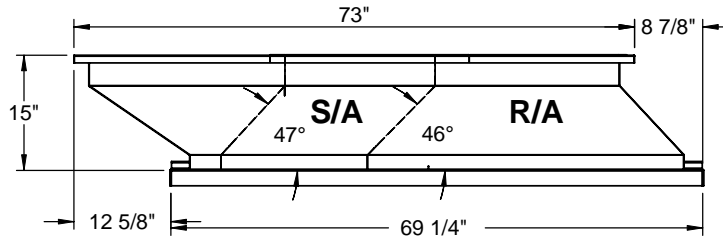
**FEATURES:**

- Gasketing package provided.
- Insulation: 1"-1.5 lb. Density.
- Estimated Weight: 222 Lbs.
- All Galvanized Welded Construction.

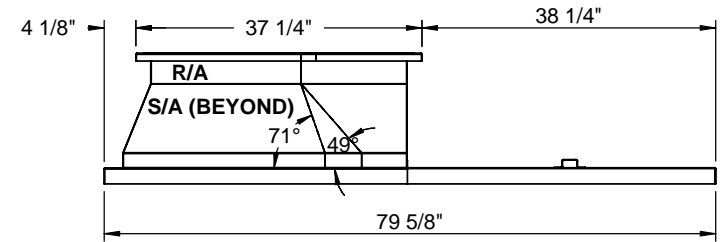
**CURB ADAPTER**

EXISTING LENNOX:  
CHA8, CHP8, GCS3 511-653

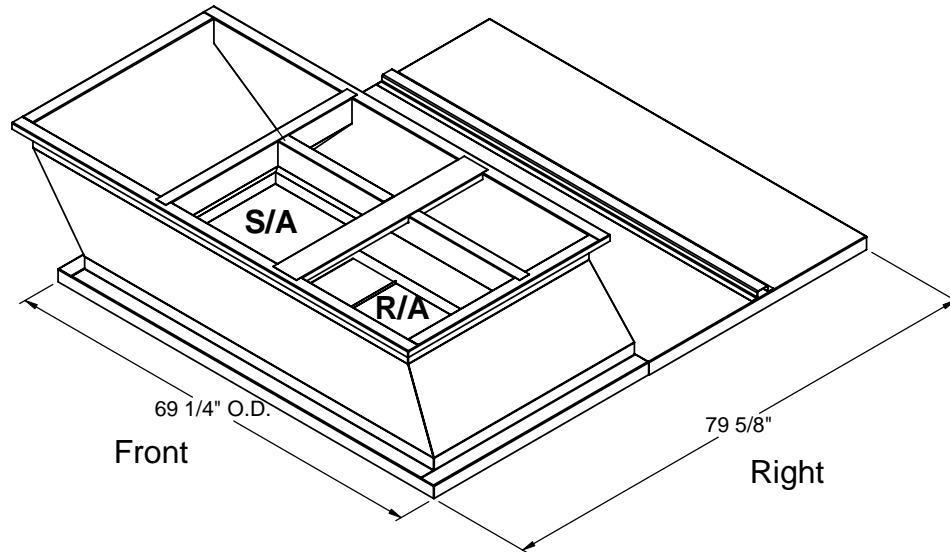
FOR YORK UNITS:  
DM/DR/DCE/DCG/BP 036-072:  
ZJ/XP/DY/DJ/DH/DHE/DHG/BQ/BCH/036-060: DF 072



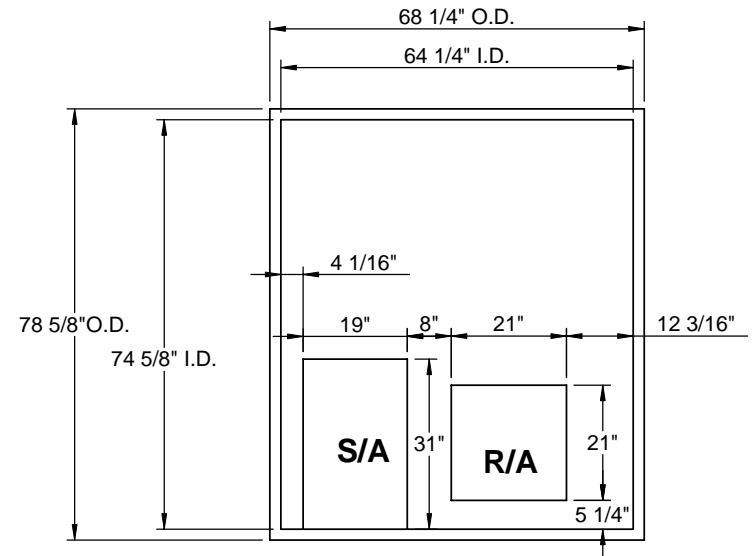
**FRONT VIEW**



**RIGHT VIEW**



**ISOMETRIC VIEW**



**EXISTING CURB**



1392 EAST PALOMAR STREET  
SUITE 403-234  
CHULA VISTA, CA 91913  
  
PHONE (619) 498-9246  
FAX (619) 872-9799

SUBMITTED TO: \_\_\_\_\_  
COMPANY: \_\_\_\_\_  
JOB NAME: \_\_\_\_\_  
EQUIPMENT: \_\_\_\_\_  
NOTES: \_\_\_\_\_

FORM NO: \_\_\_\_\_  
-  
  
DATE: 10/8/2009

PART NUMBER: CA-SUN3672-LEN02  
  
REV: 1  
DRAWN BY: FMM