

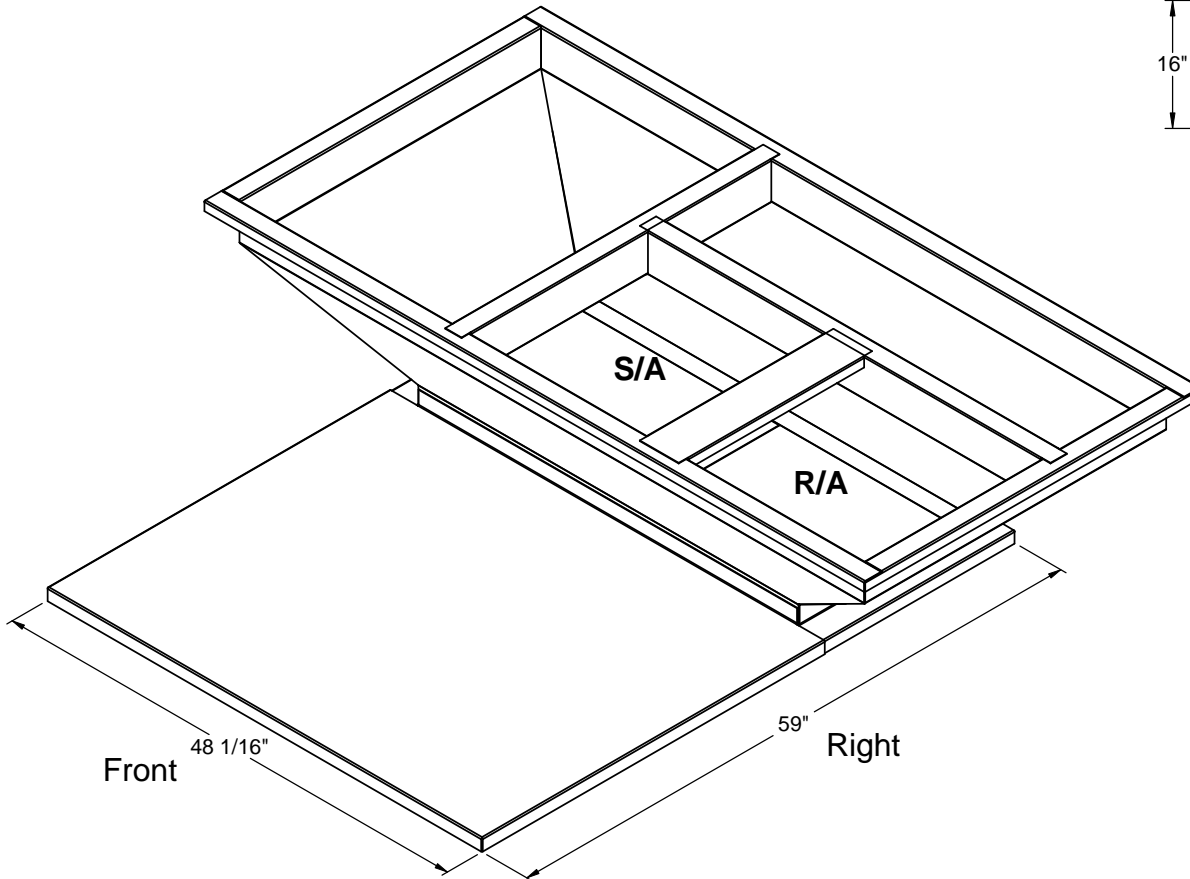
FEATURES:

- Gasketing package provided.
- Insulation: 1"-1.5 lb. Density.
- Estimated Weight: 150 Lbs.
- All Galvanized Welded Construction.

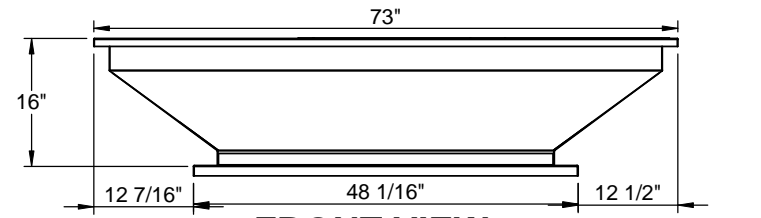
CURB ADAPTER

EXISTING TRANE:
BWC 048-060C; BTC 048-060; BYC 036-060C

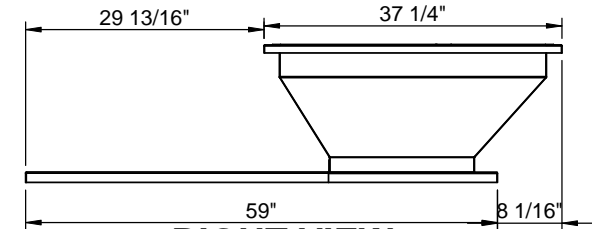
FOR YORK UNITS:
ZJ/XP/DY/DJ/DH/DHE/DHG/BQ/BCH 036-060: DF 072



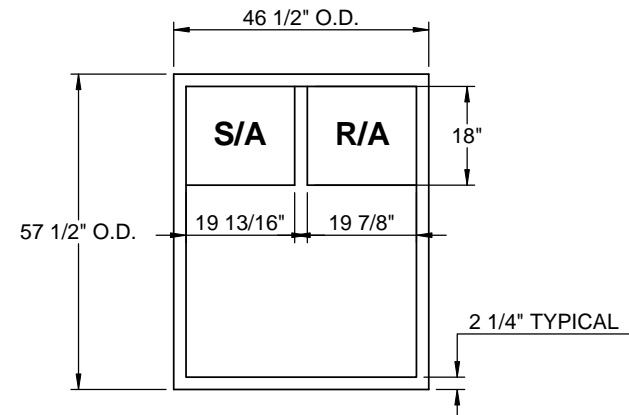
ISOMETRIC VIEW



FRONT VIEW



RIGHT VIEW



EXISTING CURB



3847 WABASH DRIVE
MIRA LOMA, CA 91752

PHONE (951) 685-1101
FAX (619) 872-9799

SUBMITTED TO: _____
COMPANY: _____
JOB NAME: _____
EQUIPMENT: _____
NOTES: _____

FORM NO: _____
DATE: 9/21/2011

PART NUMBER:
CA-SUN3672-TRN05
REV: 1
DRAWN BY: CNG