

**FEATURES**

- Roof curb sides and ends are 18 ga. galvanized steel.
- Perimeter upper frame supplied with pre-punch assembly holes.
- Assembly hardware provided for field assembly.
- Gasketing package provided.
- Heat treated wood nailer provided.
- Insulated deck pans included.

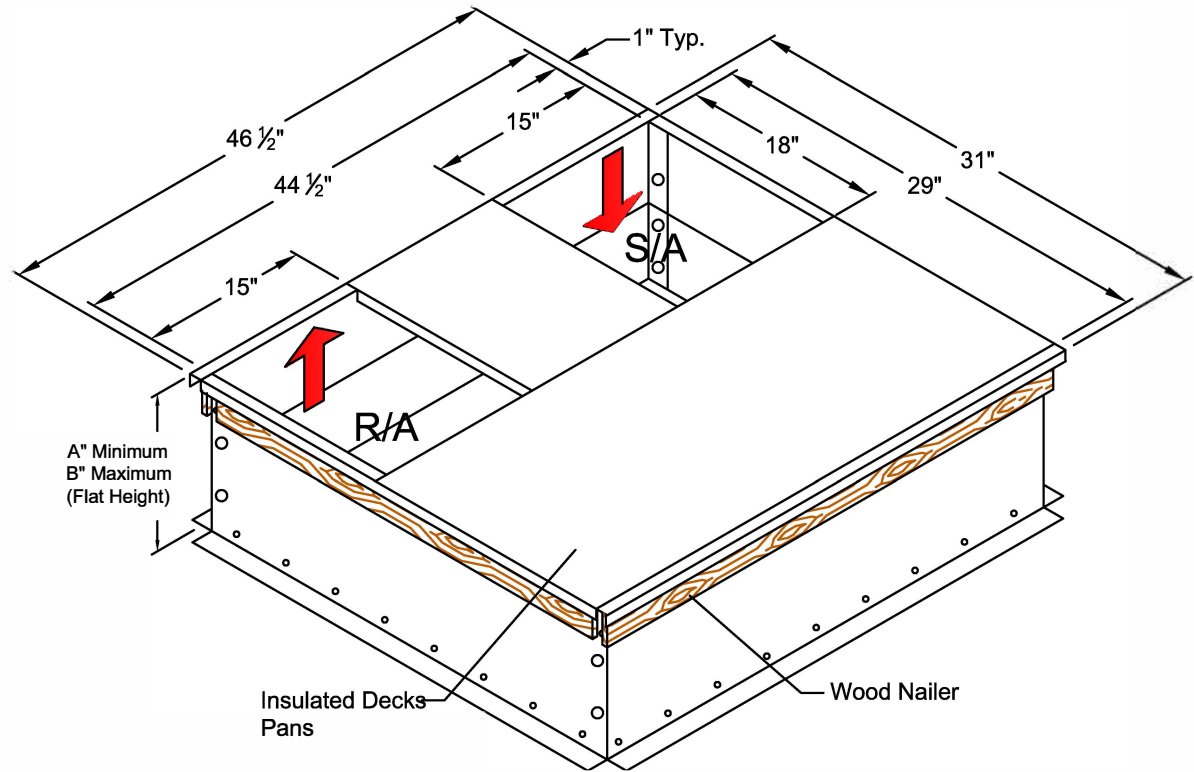
**NOTES**

- Ductwork must be 3/4" smaller than duct openings shown.
- Adjust up to 1" in 12" pitch in either direction.
- Attach ductwork to roof curb. Flanges of duct rest on top of curb. Support ductwork below the curb.
- Thru the curbs utilities are available. Contact your York distributor or Provent directly.

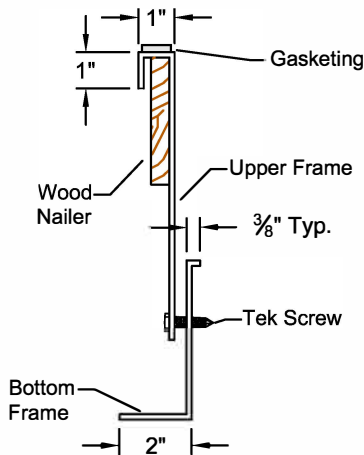
**KNOCK-DOWN ADJUSTABLE PITCH / ADJUSTABLE HEIGHT CURBS FOR YORK UNITS**

**P\*\*\*A ALL MODELS**

ProVent P/N	A	B	WEIGHT
CBAKDLXS08	8"	12"	73 Lbs
CBAKDLXS11	11"	15"	81 Lbs
CBAKDLXS14	14"	18"	88 Lbs



**Detail**



3847 WABASH DRIVE  
MIRA LOMA, CA 91752

PHONE (951) 685-1101  
FAX (619) 498-9247

SUBMITTED TO: \_\_\_\_\_  
 COMPANY: \_\_\_\_\_  
 JOB NAME: \_\_\_\_\_  
 EQUIPMENT: \_\_\_\_\_  
 NOTES: \_\_\_\_\_

FORM NO:  
CBAKD-125

DATE:  
09/24/15

PART NUMBER:  
CBAKDLXS SERIES

DRAWN BY:  
CNG