

FEATURES

- Roof curb sides and ends are 18 ga. galvanized steel.
- Perimeter upper frame supplied with pre-punch assembly holes.
- Assembly hardware provided for field assembly.
- Gasketing package provided.
- Heat treated wood nailer provided.
- Insulated deck pans included.

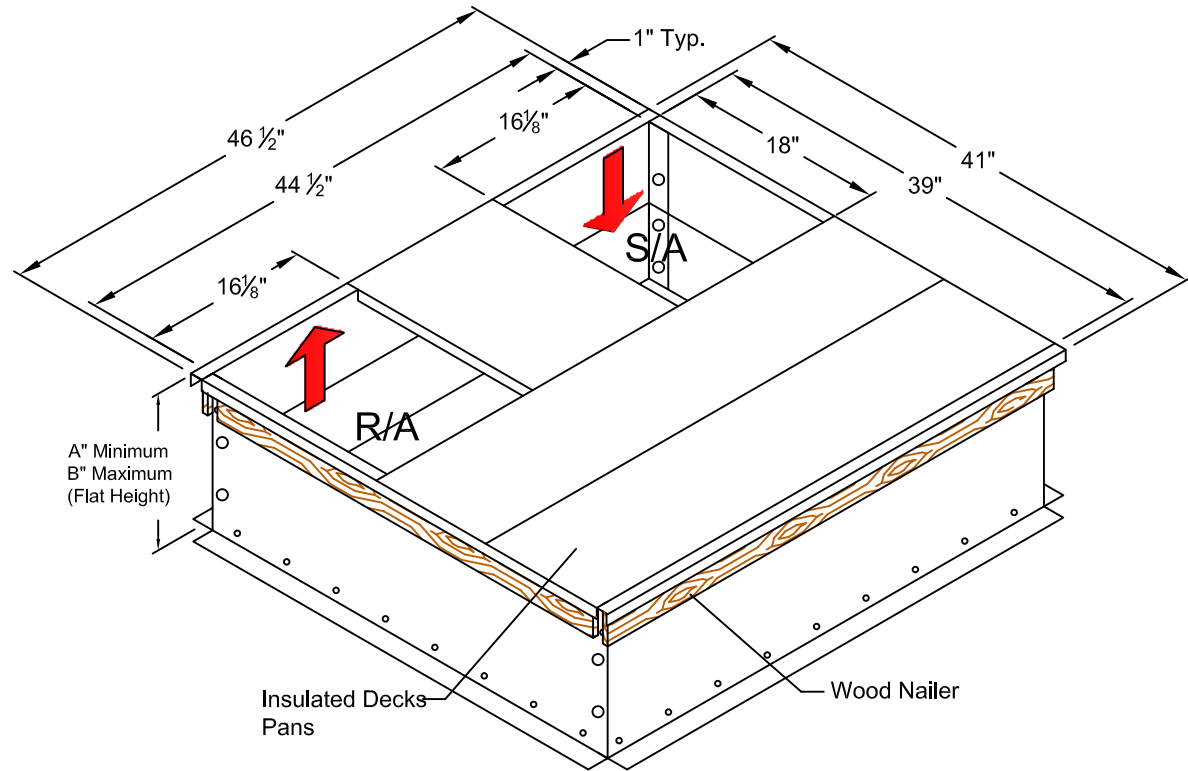
NOTES

- Ductwork must be 3/4" smaller than duct openings shown.
- Adjust up to 1" in 12" pitch in either direction.
- Attach ductwork to roof curb. Flanges of duct rest on top of curb. Support ductwork below the curb.
- Thru the curbs utilities are available. Contact your York distributor or Provent directly.

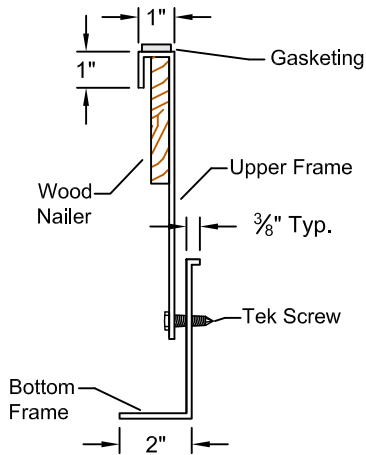
KNOCK-DOWN ADJUSTABLE PITCH / ADJUSTABLE HEIGHT CURBS FOR YORK UNITS

PCG4B, PCE4B 048-060 / PHE4B, PHG4B 036-060

ProVent P/N	A	B	WEIGHT
CBAKDLXL08	8"	12"	76 Lbs
CBAKDLXL11	11"	15"	84 Lbs
CBAKDLXL14	14"	18"	91 Lbs



Detail



3847 WABASH DRIVE
MIRA LOMA, CA 91752

PHONE (951) 685-1101
FAX (619) 498-9247

SUBMITTED TO: _____
 COMPANY: _____
 JOB NAME: _____
 EQUIPMENT: _____
 NOTES: _____

FORM NO:
CBAKD-126

DATE:
09/24/15

PART NUMBER:
CBAKDLXL SERIES

DRAWN BY:
CNG