



INSTALLATION INSTRUCTIONS CBAKDLXS Series Roof Curbs

ProVent roof curbs have been designed to optimize structural code building requirements while at the same time minimizing the installation procedure. Please read these instructions carefully before beginning. For building code conforming curbs, a kit must be added prior to setting the unit on the curb. Contact your local distributor of ProVent accessories or contact us directly.

ROOF CURB LIST OF MATERIALS

Roof Curb Part No.	Height	Tek Screw #14x3/4"	Tek Screw #12x3/4"	Top Sides	Top Ends	Base Sides	Base Ends	Panels	Gasket 1/2" x 1" x 25'
CBAKDLXS08	8"	17	41	2	2	2	2	2	25 ft.
CBAKDLXS11	11"								
CBAKDLXS14	14"								

Instructions

Adjustable Pitch Curb is for roofs with pitches up to 1" in 12".

1. Remove curb from package and separate parts for top section, base section and decks/supports. (As shown in ILL. 1)

2. Base: Attach (2) sides and (2) ends. Attachment flanges on ends go to inside of sides.

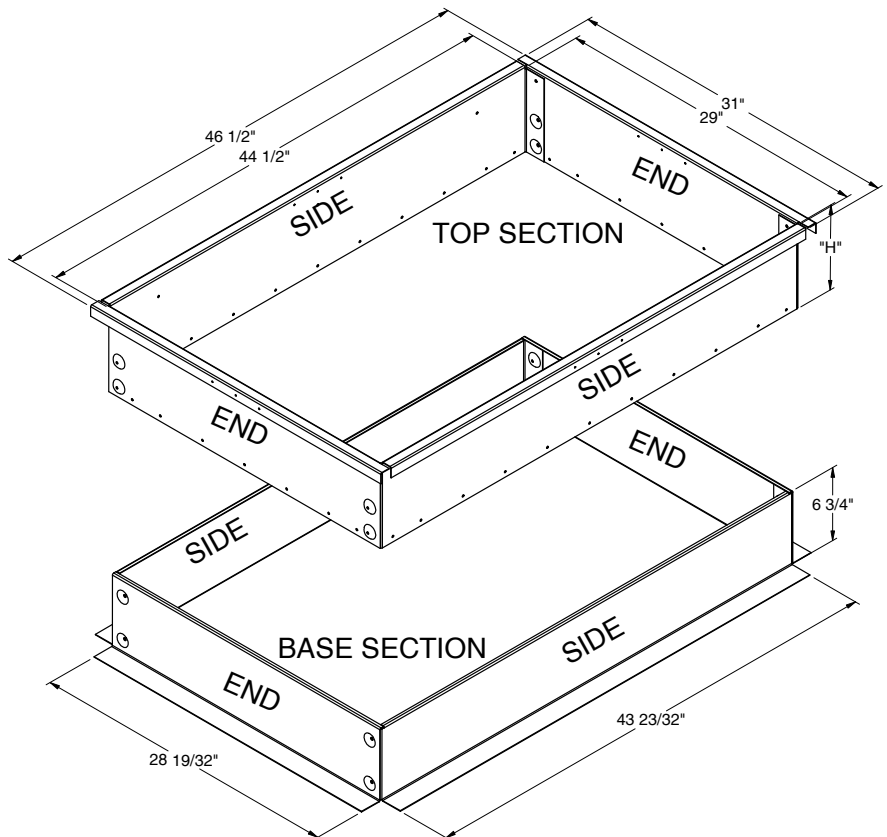
Use #14x3/4" tek screws in each corner to assemble. Screws are inserted from outside curb inwards.

3. Top: Assemble (2) sides and (2) ends. Attachment flanges on ends go to inside of sides.

Use #14x3/4" tek screws in lower two holes of each corner to assemble. Use #12x3/4" in top hole into wood nailer. Screws are inserted from inside curb outward.

Part No.	H
CBAKDLXS08	8"
CBAKDLXS11	11"
CBAKDLXS14	14"

ILL. 1



ADJUSTABLE PITCH / ADJUSTABLE HEIGHT CURB INSTRUCTIONS (CONTINUED)

4. Install long side deck pan opposite supply and return openings of curb. (ILL. 2)
Ensure slots are positioned closest to supply and return openings of roof curb.
5. Install duct support between supply and return openings. (ILL. 2)
6. Square up curb by measuring diagonally across curb corners. Set curb in place over roof opening.
7. Manufacture duct drop onto curb. Install gasketing around top perimeter of curb and around top duct flanges.

Locate base assembly over roof openings. Roof opening sizes listed in HVAC unit specifications are appropriate. Secure bottom section to roof.

8. Slide top section over bottom section. Level top section and clamp in place. (ILL. 3)

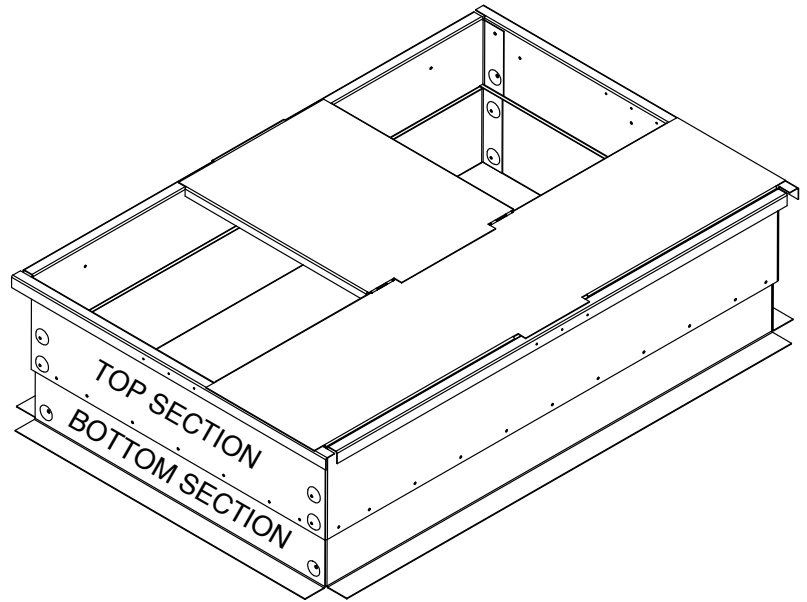
Note: This curb can be used on roofs with pitch up to 1" in 12". If curb is pitched on short side, roof pitch can be even greater.

9. Through pre-punched holes along bottom base of top section, insert #12x3/4" tek screws. This will secure top section to bottom section. (ILL. 4)

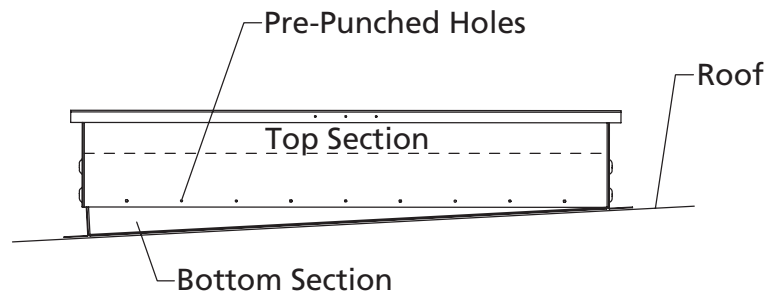
Pre-punch holes are 6" apart. It is important that you install the screws through every hole.

10. Roof in curb according to local or other appropriate codes.

ILL. 2



ILL. 3



ILL. 4

