

**FEATURES**

- Roof curb sides and ends are 16 ga. galvanized steel.
- Fully welded construction.
- Gasketing package provided.
- Heat treated wood nailer provided.
- Insulated deck pans provided.
- Pitched, different height, taller and calculated curbs are available.
- CalDyn OSHPD pre-approved 2" deflection seismic restraints. (OPA-0070)

**NOTES**

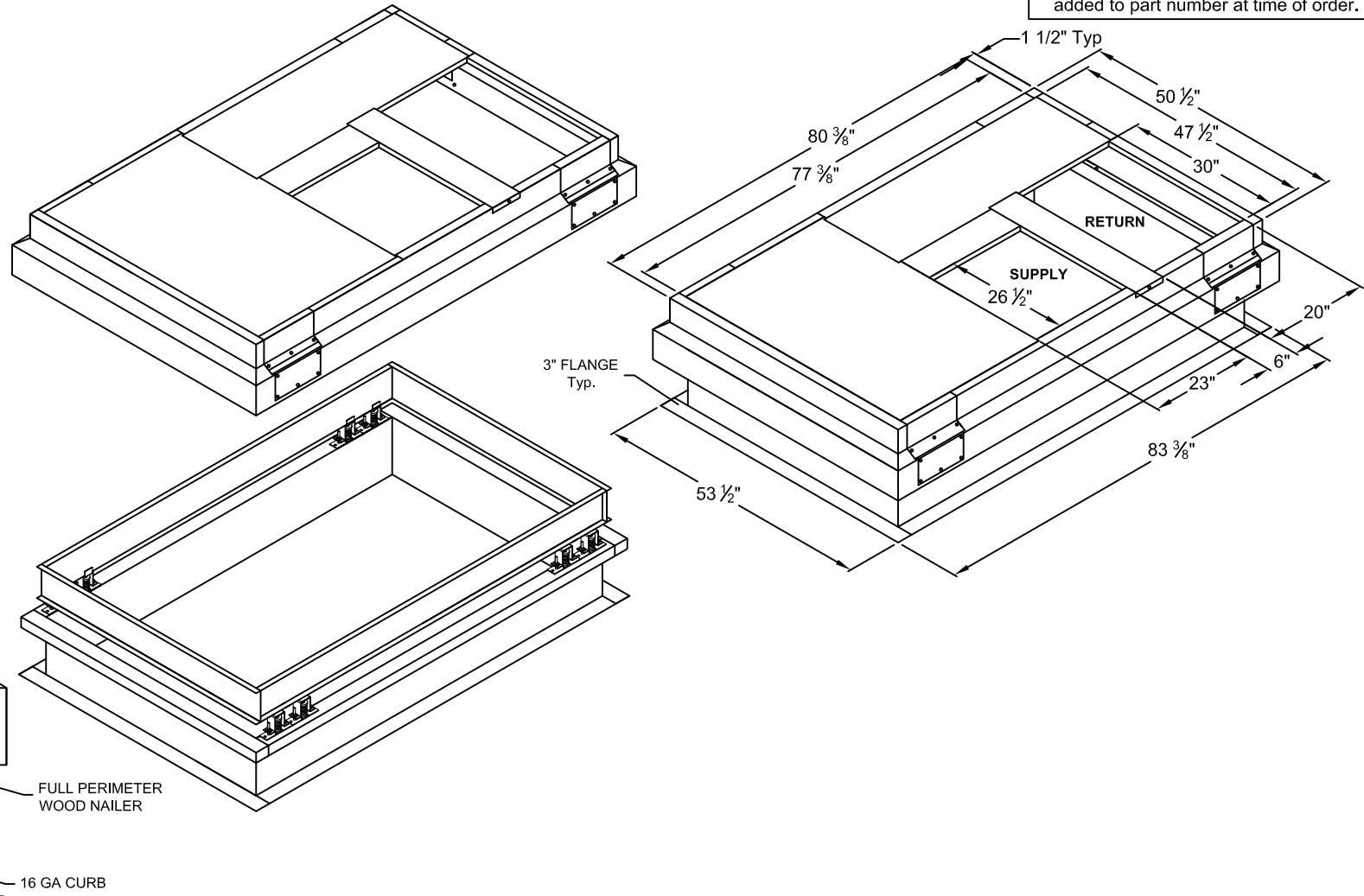
- Attach ductwork to roof curb. Flanges of duct rest on top of curb. Support ductwork below the curb.
- Thru the curbs utilities are available. Contact your York distributor or Provent directly.

**VIBRATION ISOLATION CURBS FOR YORK UNITS**

**ZH/ZJ/ZT 037, 049, 061: ZF/ZH/ZJ/ZR/XP/DH/DM/DF/DR/BP 078-150: DJ 150**

ProVent P/N (2" Deflection)	A	B	WEIGHT	ProVent P/N (3" Deflection)	A	B	WEIGHT
CBISPRD371519**	8"	19"	330 Lbs	CBISPRD3715193**	8"	19"	330 Lbs
CBISPRD371522**	11"	22"	345 Lbs	CBISPRD3715223**	11"	22"	345 Lbs
CBISPRD371525**	14"	25"	360 Lbs	CBISPRD3715253**	14"	25"	360 Lbs

**\*\* Note:** Spring configuration must be added to part number at time of order.



**PROFILE DETAIL**



3847 WABASH DRIVE  
MIRA LOMA, CA 91752

PHONE (951) 685-1101  
FAX (619) 498-9247

SUBMITTED TO: \_\_\_\_\_  
 COMPANY: \_\_\_\_\_  
 JOB NAME: \_\_\_\_\_  
 EQUIPMENT: \_\_\_\_\_  
 NOTES: \_\_\_\_\_

FORM NO:  
CBIS-108

DATE:  
01/30/14

REV:  
4

PART NUMBER:  
CBISPRD3715 SERIES

DRAWN BY:  
CNG