

FEATURES:

- Roof curb sides and ends are 16 ga. galvanized steel.
- Fully welded construction.
- Gasketing package provided.
- Heat treated wood nailer provided.
- Pitched curbs and taller curbs are available.
- CalDyn OSHPD pre-approved 2" deflection seismic restraints. (OPA-0070) JQA.

NOTES

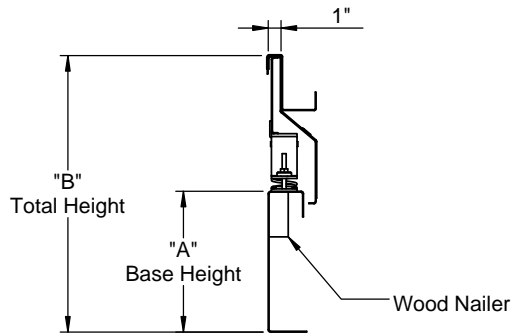
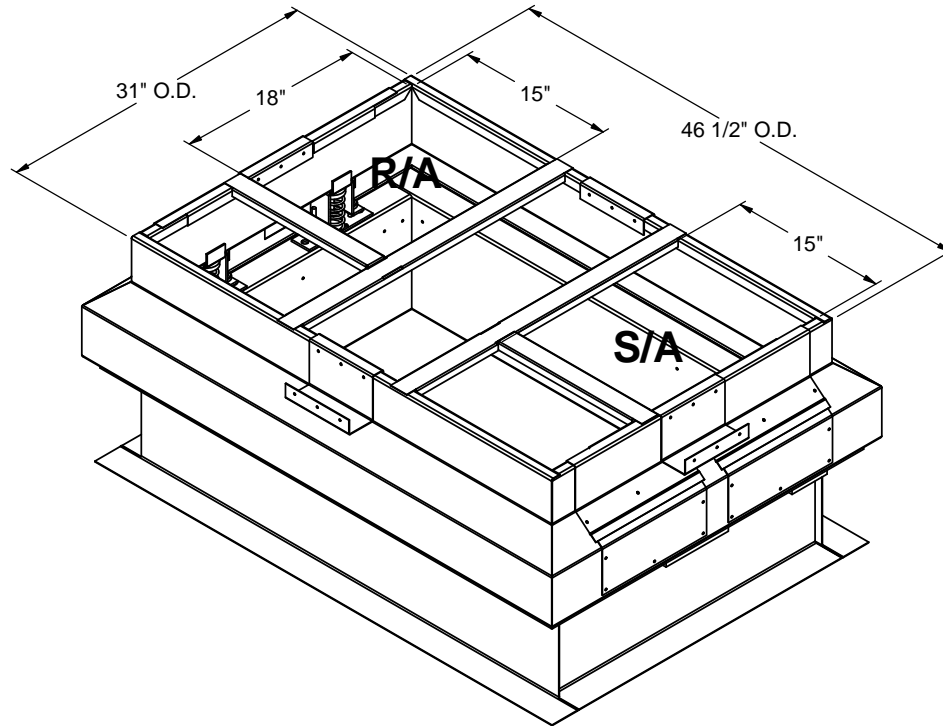
Attach ductwork to roof curb. Flanges of duct rest on top of curb. Support ductwork below the curb.

VIBRATION ISOLATION ROOF CURB FOR YORK UNITS

PCG4A, PCE4A 024-042 / PHE4A, PHG4A 024-030

PROVENT P/N	A	B	WEIGHT
CBISLXS18**	8"	18"	142 Lbs.
CBISLXS21**	11"	21"	160 Lbs.
CBISLXS24**	14"	24"	178 Lbs.

****Note:** Spring configuration must be added to part number at time of order.



SIDE VIEW DETAIL



3847 WABASH DR.
MIRA LOMA, CA 91752

PHONE (951) 685-1101
FAX (619) 872-9799

JOB NAME: _____
 ADDRESS: _____

 NOTES: _____

FORM NO:
CBIS-119

DATE:
8/31/2015

PART NUMBER:
CBISLXS SERIES

REV:
3

DRAWN BY:
CNG