

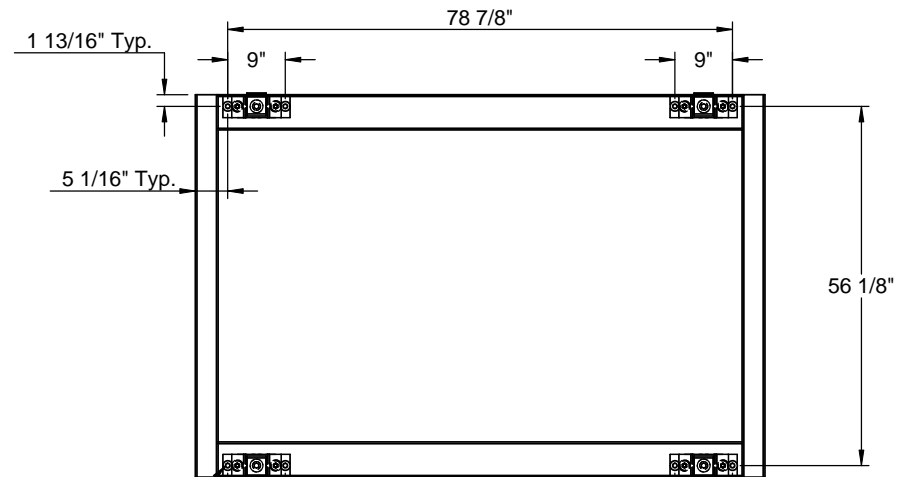
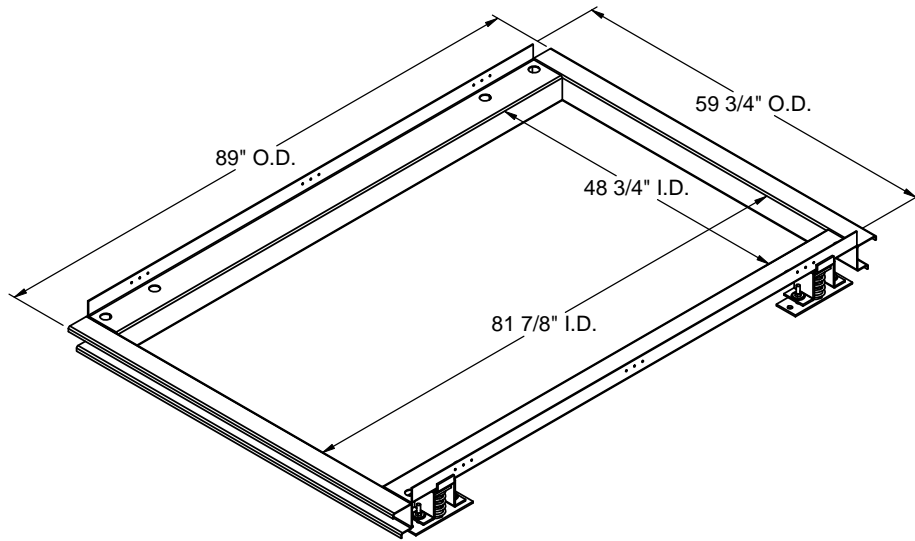
FEATURES

- Fully welded construction.
- 10 Ga. galvanized support frame.
- Estimated weight - 189 Lbs.
- Gasketing package provided.
- Restraints and springs have OSHPD pre-approval, OPA #0070.

VIBRATION ISOLATION FRAME FOR HORIZONTAL YORK UNITS - LOW PROFILE

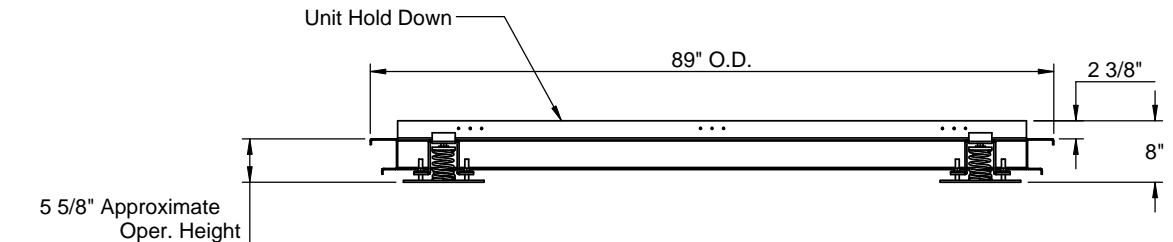
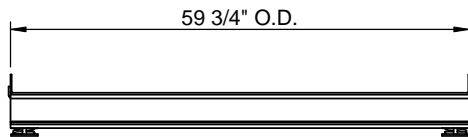
ZR,ZJ,ZH 037-150
ZF,XP 078-150

Unit Model	Power Exhaust?	Provent P/N
ZH, ZJ, ZR 078-090; ZF, XP 078-102	NO	CBISHPRD37151
ZH, ZJ, ZR 102-120; XP 120	NO	CBISHPRD37152
ZF 120-150; ZH, ZJ, ZR, XP 150	NO	CBISHPRD37153
ZR, ZH, ZJ 037, 049, 061	NO	CBISHPRD37154
ZH, ZJ, ZR 078-090; ZF, XP 078-102	YES	CBISHPRD3715P1
ZH, ZJ, ZR 102-120; XP 120	YES	CBISHPRD3715P2
ZF 120-150; ZH, ZJ, ZR, XP 150	YES	CBISHPRD3715P3
ZR, ZH, ZJ 037, 049, 061	YES	CBISHPRD3715P4



11/16 Diameter Hole
(Typ. 4 Springs)

Anchorage Location Detail



3847 WABASH DR.
MIRA LOMA, CA 91725

PHONE (951) 685-1101
FAX (619) 872-9799

SUBMITTED TO: _____
COMPANY: _____
JOB NAME: _____
EQUIPMENT: _____
NOTES: _____

FORM NO:
CBISH-110

DATE:
11/9/2012

PART NUMBER:
CBISHPRD3715 - SERIES

REV:
2

DRAWN BY:
CNG