

For wood, concrete and steel attachment see Roof Anchorage Detail, Form No. CB-60.

Welded isolation springs housing are standard. For bolted spring housing, neoprene pads and spring cups see Weldment and Bolting Detail, Form No. CB-61

FEATURES

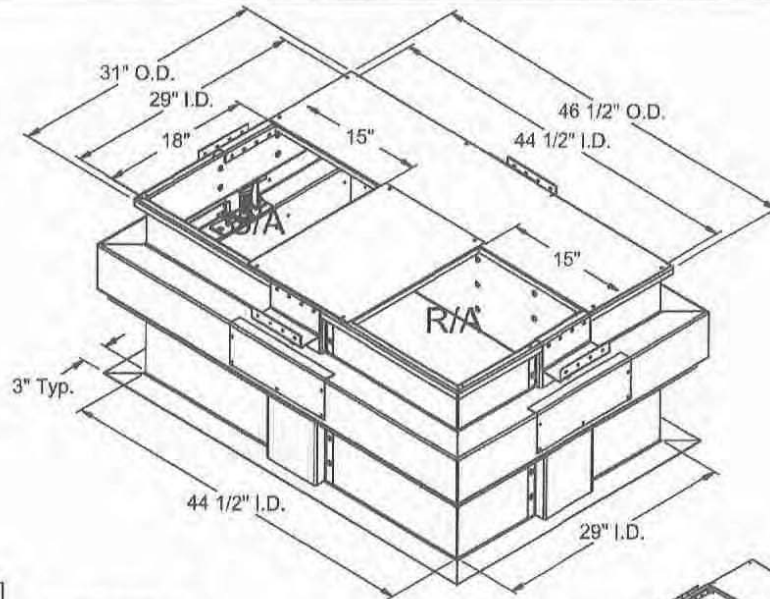
- Roof curbs sides and ends are 14 ga.
- Fully welded construction.
- Gasketing package provided.
- Heat treated wood nailer provided.
- Insulated deck pans provided.
- Pitched curbs and taller curbs are available.

NOTES

- Attach ductwork to roof curb. Flanges of duct rest on top of the curb, Support ductwork below the curb.
- Thru the curb utilities are available. Contact you York distributor or Provent directly.

STRUCTURALLY CALCULATED VIBRATION ISOLATION ROOF CURB FOR YORK UNITS

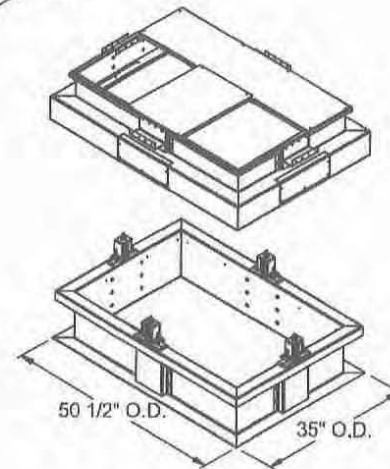
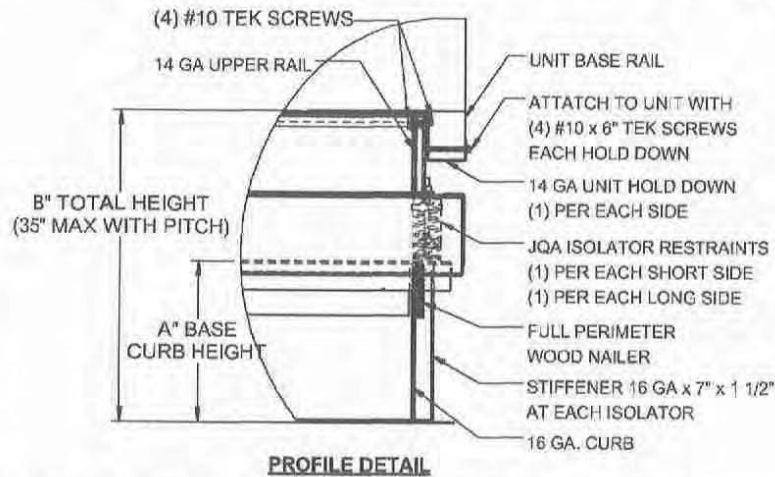
P***A CABINET



PROVENT P/N	A	B	EST. WEIGHT
CBISCLXS18*	8"	18"	180 Lbs.
CBISCLXS21**	11"	21"	195 Lbs.
CBISCLXS24**	14"	24"	210 Lbs.

**Note: Spring configuration must be added to part number at time of order

Meets seismic requirements for the following codes:
CBC 2016
IBC 2015



3847 WABASH DRIVE
MIRA LOMA, CA 91752

PHONE (951) 685-1101
FAX (619) 872-9799

SUBMITTED TO:
COMPANY:
JOB NAME:
EQUIPMENT:
NOTES:

FORM NO:
CBISC-01

DATE:
10/3/2018

PART NUMBER: 7/29/19

REV:
1

DRAWN BY:
ALL