

For wood, concrete and steel attachments see Roof Anchorage Detail, Form No. CB-24A.

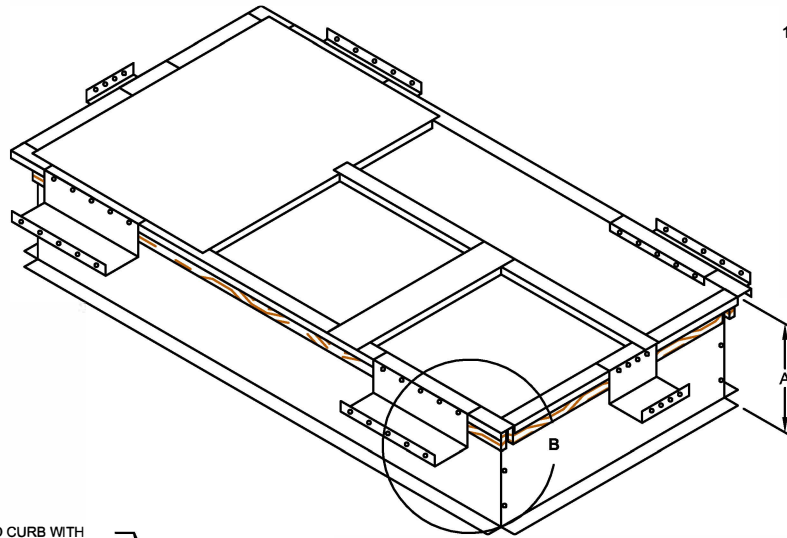
Will conform to seismic code requirements for knock-down or pre-assembled application. (Contact factory for assembled version.)

STRUCTURALLY CALCULATED KNOCK-DOWN ROOF CURBS FOR YORK UNITS

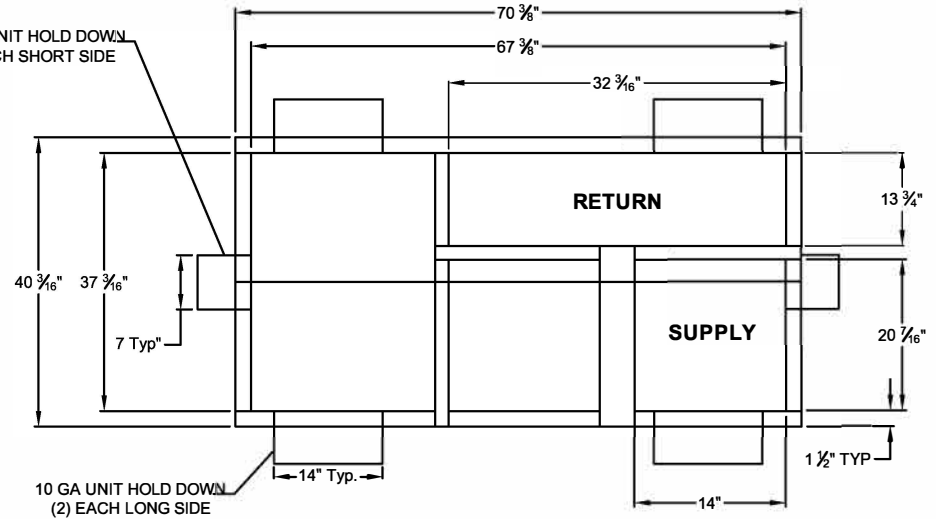
ZX, ZY 04-06; ZX 07

ProVent P/N	A	WEIGHT	SEISMIC KIT P/N	WEIGHT
CBKDPRS08	8"	67 Lbs	KDKITPRS	43 Lbs
CBKDPRS11	11"	79 Lbs		
CBKDPRS14	14"	91 Lbs		

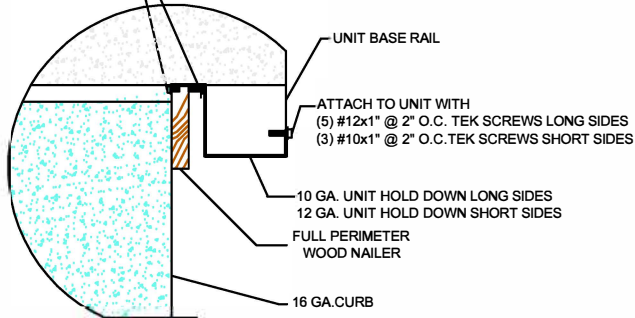
Meets seismic requirements for the following codes:
CBC 2013
IBC 2012



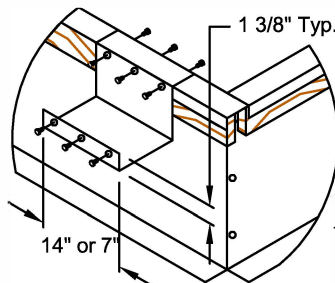
12 GA UNIT HOLD DOWN
(2) EACH SHORT SIDE



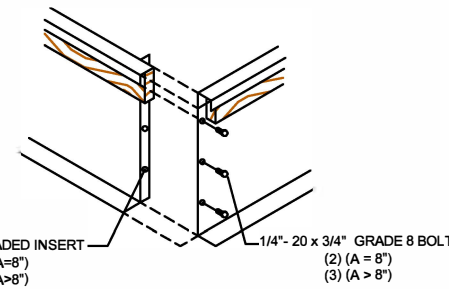
ATTACH TO CURB WITH
(5) #12x1/2" @ 3" O.C. TEK SCREWS,
EACH SIDE
(3) #10x1/2" @ 3" O.C. TEK SCREWS,
EACH SIDE



HOLD DOWN DETAIL



DETAIL B



CORNER DETAIL



3847 WABASH DR.
MIRA LOMA, CA 91725

PHONE (951) 685-1101
FAX (619) 872-9799

SUBMITTED TO: _____
COMPANY: _____
JOB NAME: _____
EQUIPMENT: _____
NOTES: _____

FORM NO:
CBKD-140

DATE:
12/9/14

PART NUMBER:
KDKITPRS
DRAWN BY:
JG
REV:
2