

For wood, concrete and steel attachments see Roof Anchorage Detail, Form Nos. CB-24A.

Will conform to seismic code requirements for knock-down or pre-assembled application. (Contact factory for assembled version.)

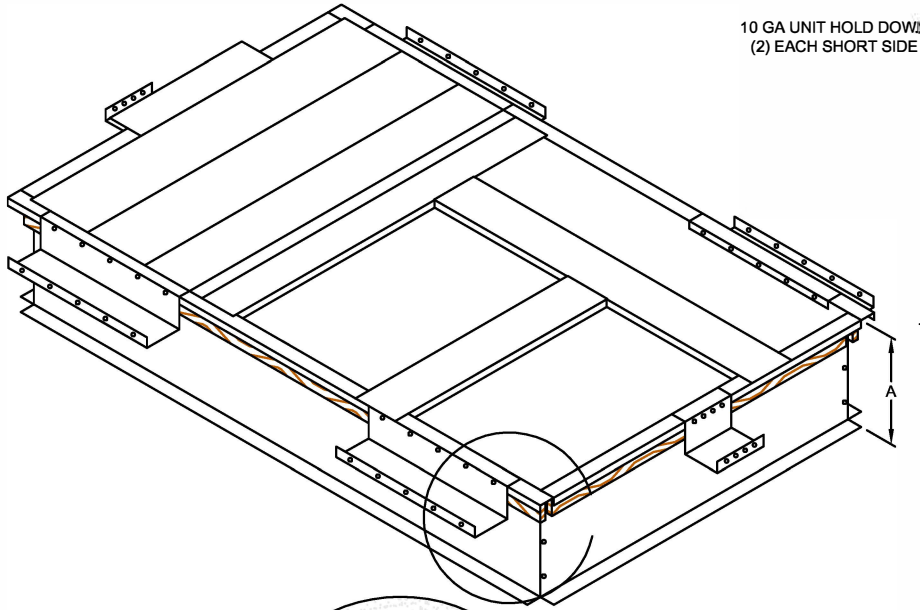
**STRUCTURALLY CALCULATED KNOCK-DOWN
ROOF CURBS FOR YORK UNITS**

ZX, ZY 08-12; ZX 14; ZY 07

ProVent P/N	A	WEIGHT
CBKDPRL08	8"	115 Lbs
CBKDPRL11	11"	129 Lbs
CBKDPRL14	14"	144 Lbs

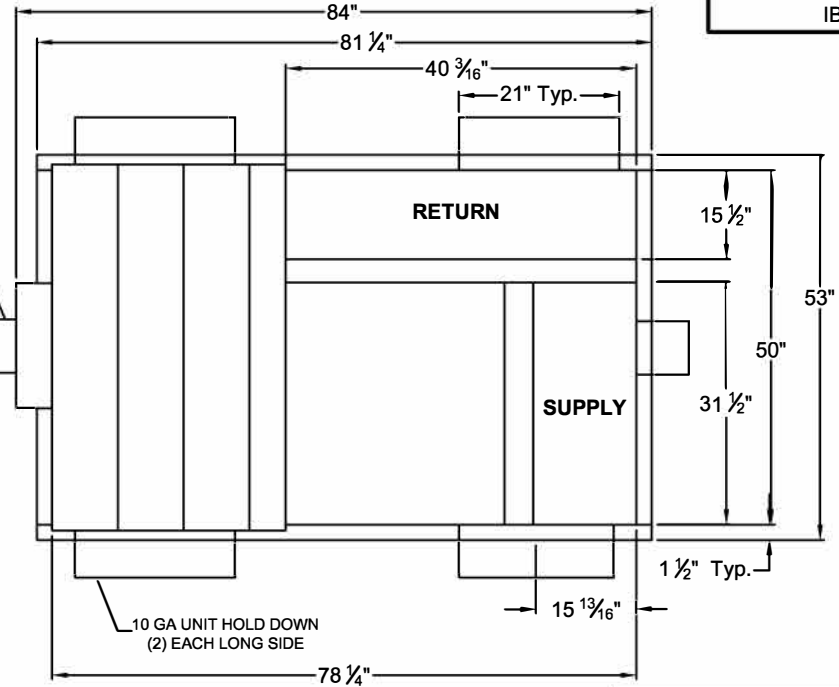
SEISMIC KIT P/N	WEIGHT
KDKITPRL	60 Lbs

Meets seismic requirements for the following codes:
CBC 2013
IBC 2012

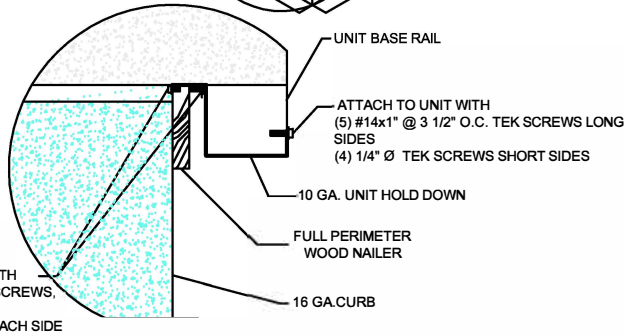


10 GA UNIT HOLD DOWN
(2) EACH SHORT SIDE

7 Typ"



10 GA UNIT HOLD DOWN
(2) EACH LONG SIDE



HOLD DOWN DETAIL

ATTACH TO CURB WITH
(5) #12x1/2" @ 6" O.C. TEK SCREWS,
EACH SIDE
(4) #12x1/2" TEK SCREWS, EACH SIDE

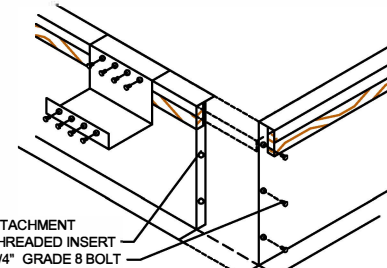
UNIT BASE RAIL

ATTACH TO UNIT WITH
(5) #14x1" @ 3 1/2" O.C. TEK SCREWS LONG
SIDES
(4) 1/4" Ø TEK SCREWS SHORT SIDES

10 GA. UNIT HOLD DOWN

FULL PERIMETER
WOOD NAILER

16 GA CURB



**CORNER &
HOLD DOWN DETAIL**

CORNER ATTACHMENT
(3) 1/4"-20 THREADED INSERT
(3) 1/4"-20x3/4" GRADE 8 BOLT



3847 WABASH DR.
MIRA LOMA, CA 91725

PHONE (951) 685-1101
FAX (619) 872-9799

SUBMITTED TO: _____
COMPANY: _____
JOB NAME: _____
EQUIPMENT: _____
NOTES: _____

FORM NO:
CBKD-141

DATE:
12/9/14

REV:
3

PART NUMBER:
KDKITPRL Series

DRAWN BY:
JG