

For wood, concrete and steel attachments see Roof Anchorage Detail, Form Nos. CB-60.

Will conform to seismic code requirements for knock-down or pre-assembled application. (Contact factory for assembled version.)

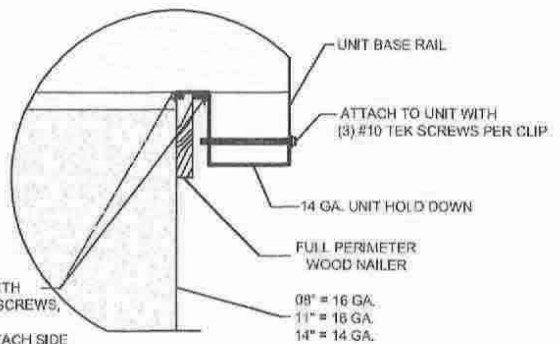
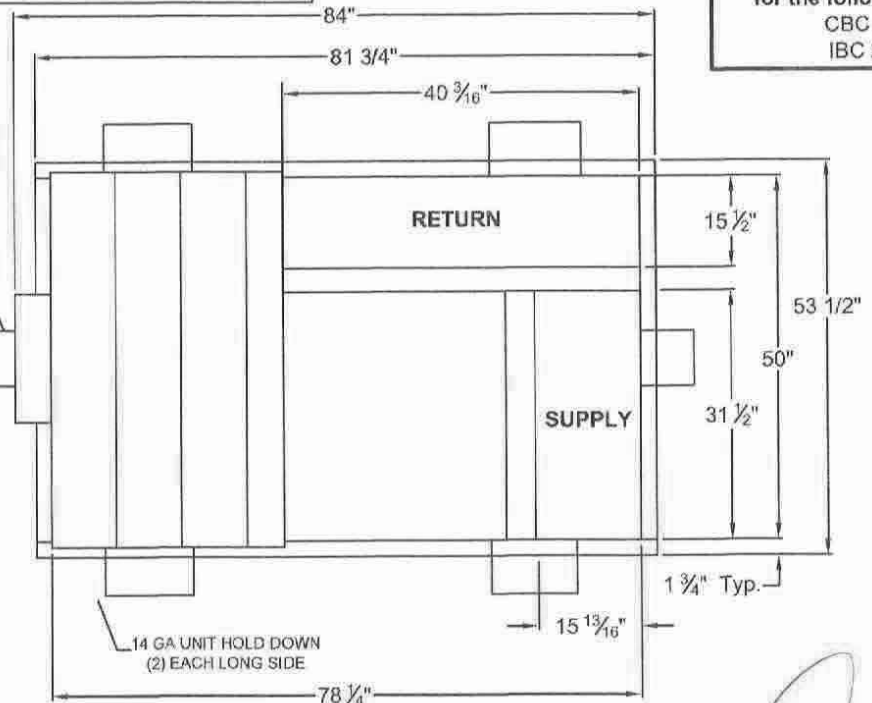
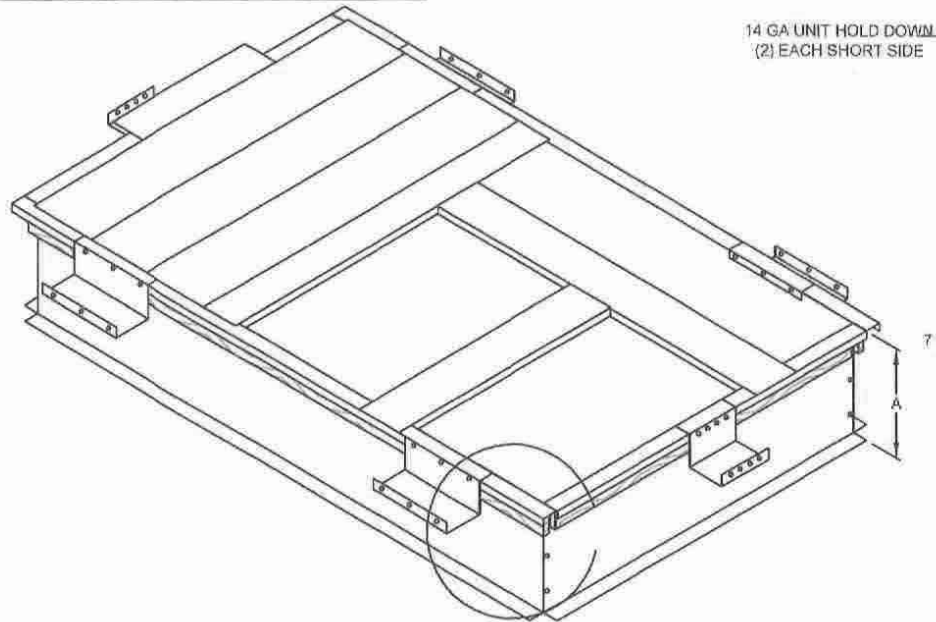
STRUCTURALLY CALCULATED KNOCK-DOWN ROOF CURBS FOR YORK UNITS

ZX, ZY 08-12; ZX 14; ZY 07

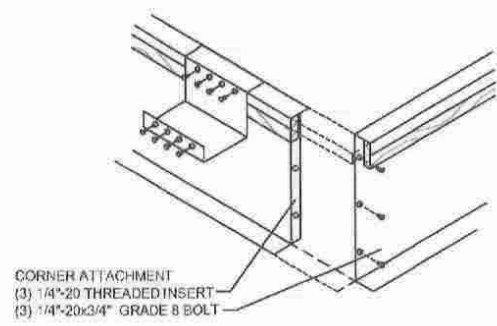
ProVent P/N	A	WEIGHT
CBKDPRL08	8"	115 Lbs
CBKDPRL11	11"	129 Lbs
CBKDPRL14	14"	144 Lbs

SEISMIC KIT P/N	WEIGHT
KDKITPRL	60 Lbs

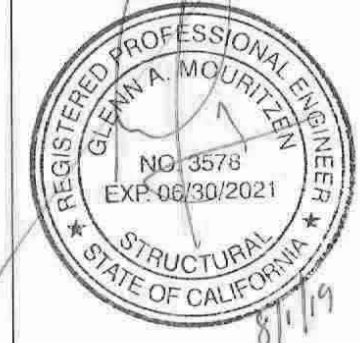
Meets seismic requirements for the following codes:
CBC 2016
IBC 2015



HOLD DOWN DETAIL



CORNER & HOLD DOWN DETAIL



3847 WABASH DRIVE
MIRA LOMA, CA 91725
PHONE (951) 685-1101
FAX (619) 872-9799

SUBMITTED TO: _____
COMPANY: _____
JOB NAME: _____
EQUIPMENT: _____
NOTES: _____

FORM NO:
CBKD-141
DATE:
01/07/19

REV:
4

PART NUMBER:
KDKITPRL Series
DRAWN BY:
ALL