

- FEATURES**
- Roof curb perimeter made of 18 ga. galvanized steel.
  - Gasketing package provided.
  - Heat treated wood nailer provided.
  - Corner flanges are pre-threaded for easy bolt on assembly.
  - Pitched, adjustable pitch/adjustable height, welded, different height, isolation and calculated curbs are available.

- NOTES**
- Attach ductwork to roof curb. Flanges of duct rest on top of the curb. Support ductwork below the curb.

**KNOCK-DOWN ROOF CURBS FOR YORK UNITS**

P\*\*\*A ALL MODELS

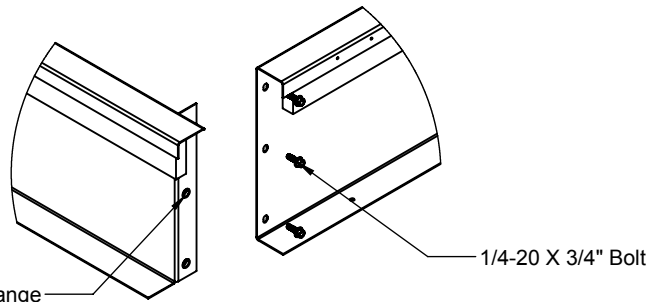
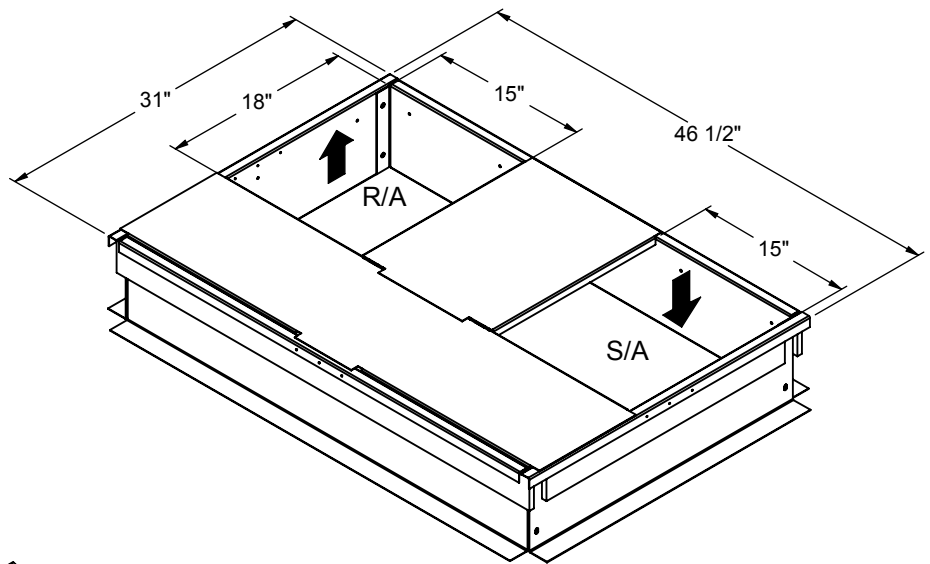
PROVENT P/N	A	EST. WEIGHT
CBKDLXS08	8"	43 Lbs.
CBKDLXS11	11"	54 Lbs.
CBKDLXS14	14"	65 Lbs.
CBKDLXS24	24"	104 Lbs.

**SEISMIC KIT P/N**

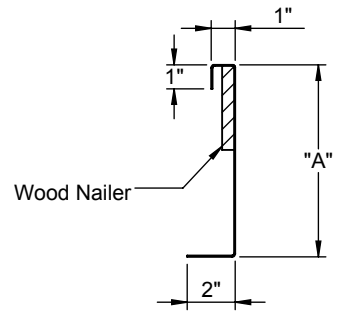
KDKITLX

When conforming to CBC 2019 and IBC 2018, include optional seismic kit.

**Available on 8" - 14"**



**CORNER DETAIL**



**CROSS SECTION DETAIL**



3847 WABASH DR.  
MIRA LOMA, CA 91725

PHONE (951) 685-1101  
FAX (619) 872-9799

SUBMITTED TO: \_\_\_\_\_  
 COMPANY: \_\_\_\_\_  
 JOB NAME: \_\_\_\_\_  
 EQUIPMENT: \_\_\_\_\_  
 NOTES: \_\_\_\_\_

FORM NO:  
CBKD-150

DATE:  
04/21/2021

PART NUMBER:  
CBKDLXS SERIES

REV:  
M

DRAWN BY:  
CNG