

For wood, concrete and steel attachments see Roof Anchorage Detail, Form No. CB-60

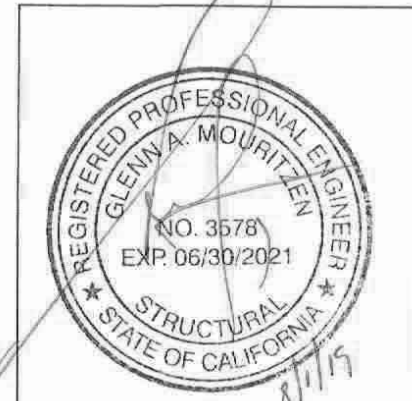
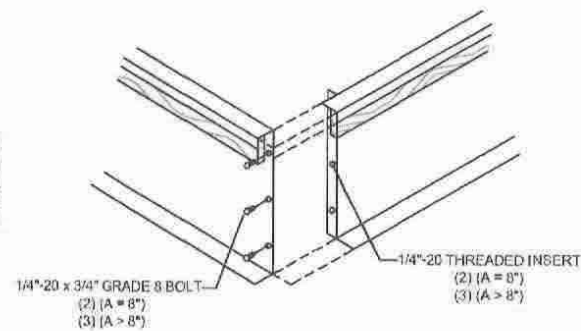
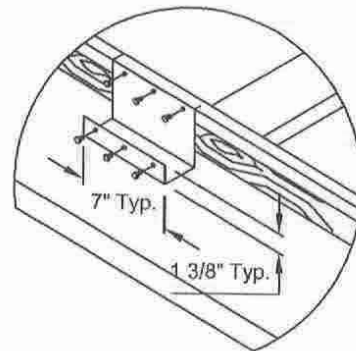
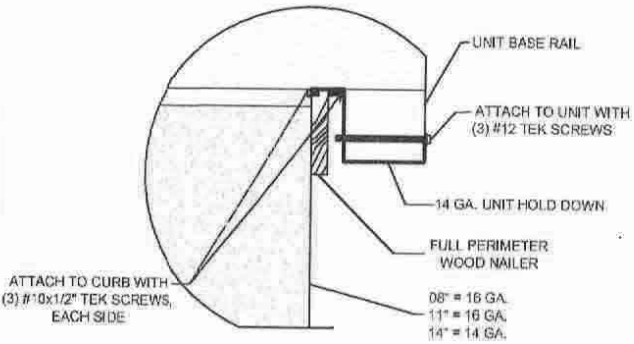
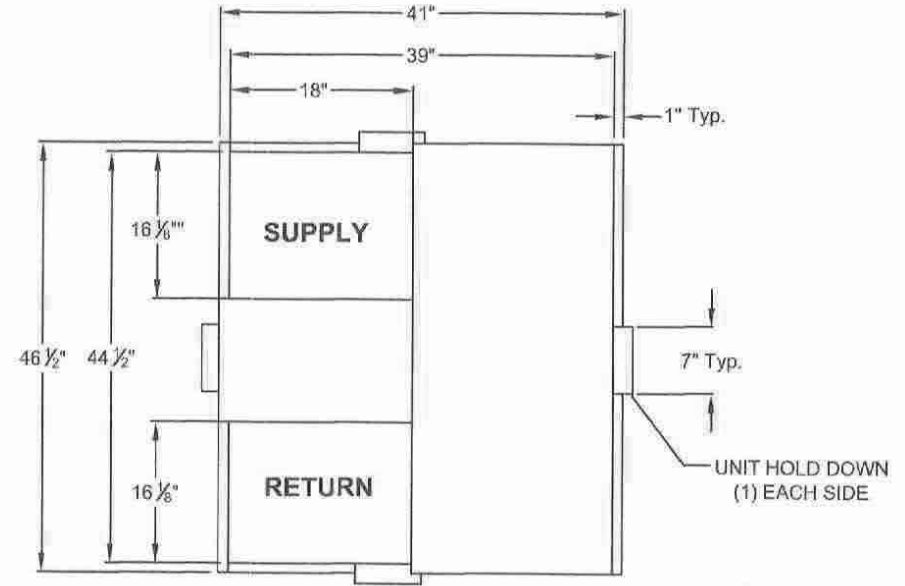
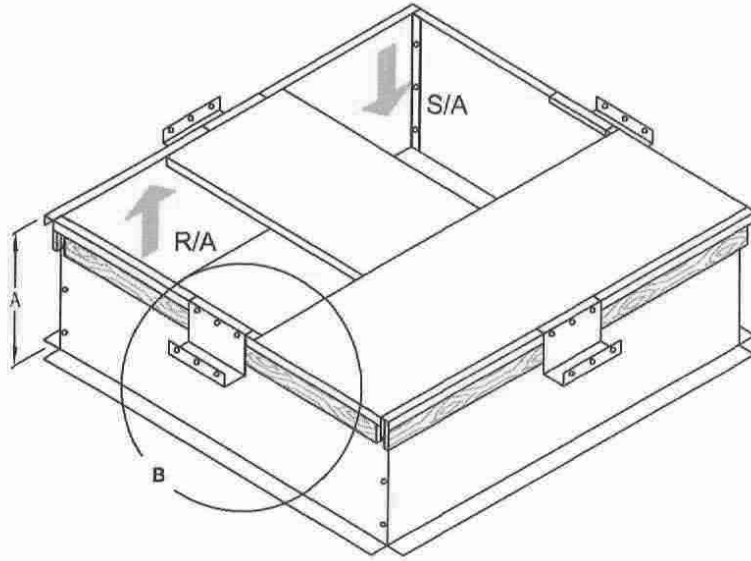
Will conform to seismic code requirements for knock-down or pre-assembled application. (Contact factory for assembled version.)

**STRUCTURALLY CALCULATED KNOCK-DOWN ROOF CURBS FOR YORK UNITS**

**P\*\*\*B ALL MODELS**

| ProVent P/N | A   | WEIGHT | SEISMIC KIT P/N | WEIGHT |
|-------------|-----|--------|-----------------|--------|
| CBKDLXL08   | 8"  | 53 Lbs | KDKITLX         | 5 Lbs  |
| CBKDLXL11   | 11" | 64 Lbs |                 |        |
| CBKDLXL14   | 14" | 75 Lbs |                 |        |

Meets seismic requirements for the following codes:  
CBC 2016  
IBC 2015



3847 WABASH DRIVE  
 MIRA LOMA, CA 91725  
 PHONE (951) 685-1101  
 FAX (619) 872-9799

SUBMITTED TO: \_\_\_\_\_  
 COMPANY: \_\_\_\_\_  
 JOB NAME: \_\_\_\_\_  
 EQUIPMENT: \_\_\_\_\_  
 NOTES: \_\_\_\_\_

FORM NO: CBKD-153  
 DATE: 01/07/19  
 REV: 5

PART NUMBER: KDKITLX  
 DRAWN BY: ALL