

For wood, concrete and steel attachments see Roof Anchorage Detail, Form No. CB-26.

Will conform to wind load code requirements for knock-down or pre-assembled application. (Contact factory for assembled version.)

**CALCULATED WIND AND SEISMIC
ROOF CURBS FOR YORK UNITS**

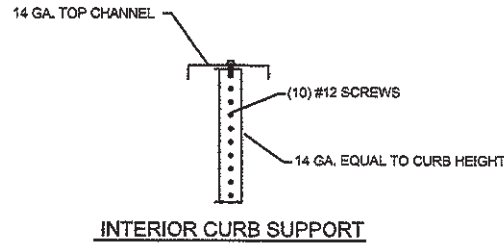
XY, ZX, ZY 04-06; ZX 07

ProVent P/N	A	WEIGHT	CALCULATED KIT P/N	WEIGHT
80-268-4514	14"	84 Lbs	80-266-4514	33 Lbs
80-268-4518	18"	101 Lbs	80-266-4518	40 Lbs

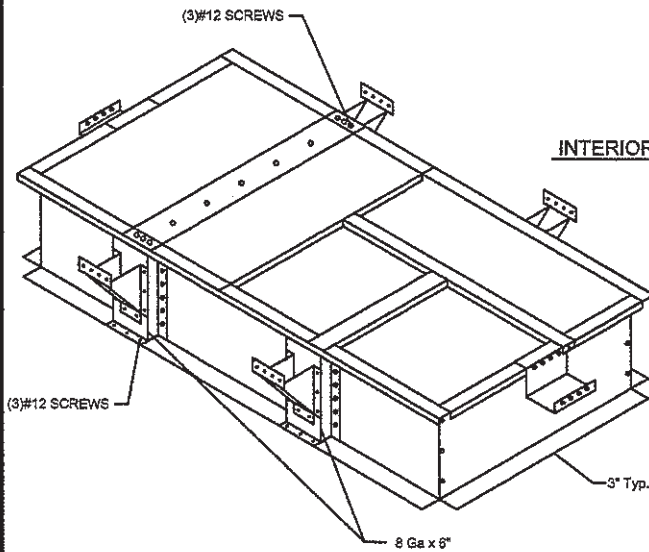
Meets wind, seismic requirements for the following codes:
FBC 2014
based on ASCE 7-10.

Wind:
190 mph exposure D category III or IV building, max BLDG height: 60 ft
Kzt=1.00 max

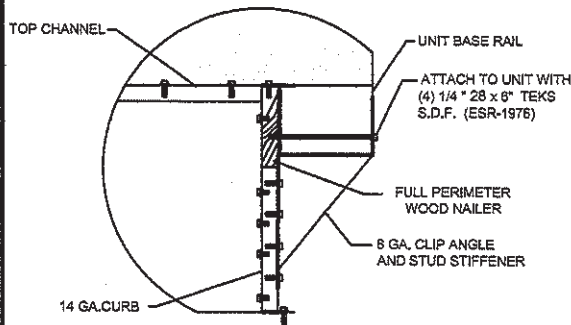
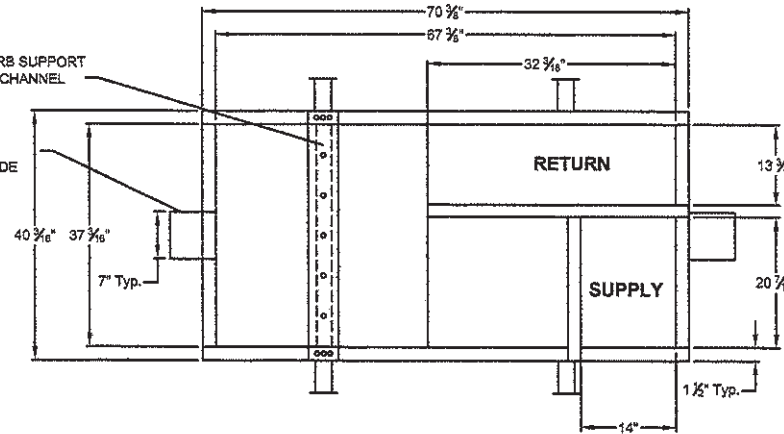
Seismic:
Sds=0.30 max
Sd1=0.187 max
Site Class D
Importance Factor: Ip=1.5



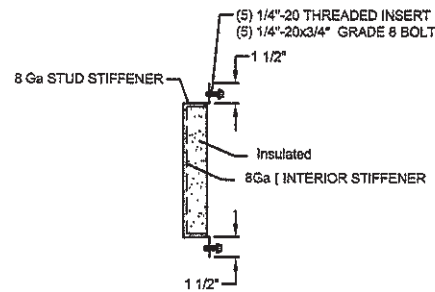
INTERIOR CURB SUPPORT



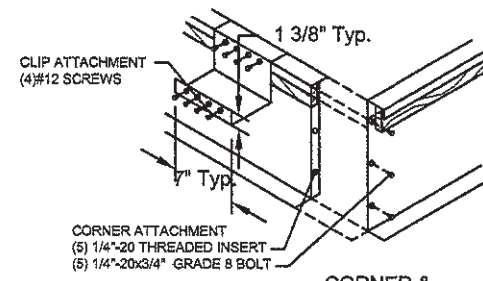
INTERIOR CURB SUPPORT WITH TOP CHANNEL



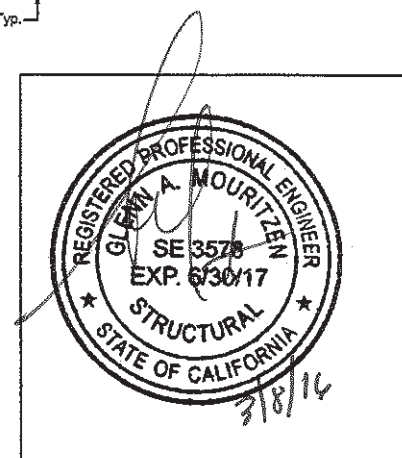
HOLD DOWN DETAIL



STUD STIFFENER



CORNER & END CLIP DETAIL



3847 WABASH DR.
MIRA LOMA, CA 91725

PHONE (951) 685-1101
FAX (619) 872-9799

SUBMITTED TO: _____
COMPANY: _____
JOB NAME: _____
EQUIPMENT: _____
NOTES: _____

FORM NO:
CBKD-162

DATE:
03/02/16

PART NUMBER:
80-268-45

REV:
1

DRAWN BY:
CNG