

For wood, concrete and steel attachments see Roof Anchorage Detail, Form No. CB-26.

Will conform to wind load code requirements for knock-down or pre-assembled application. (Contact factory for assembled version.)

**CALCULATED WIND AND SEISMIC  
ROOF CURBS FOR YORK UNITS**

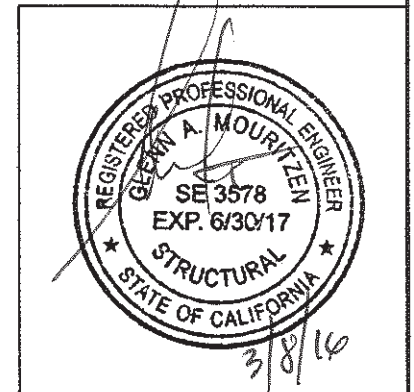
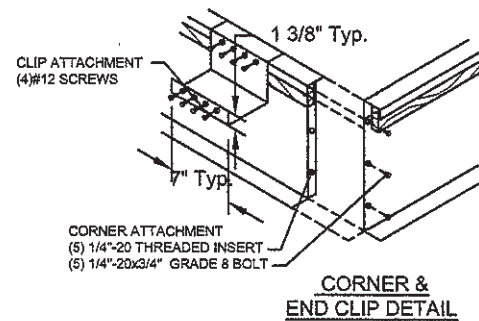
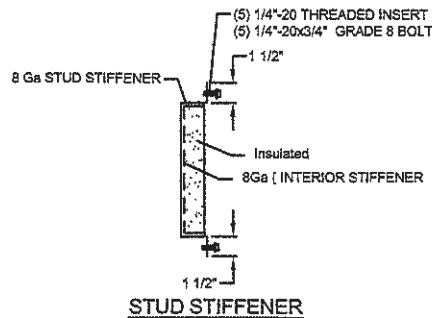
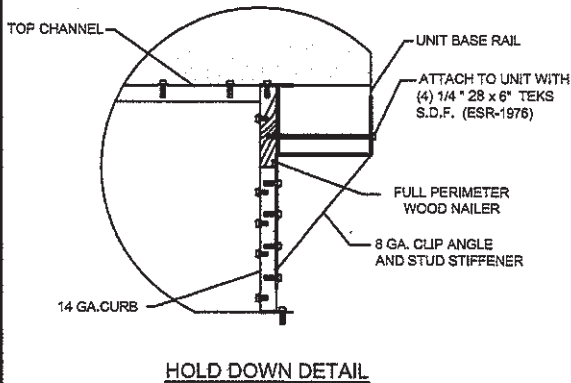
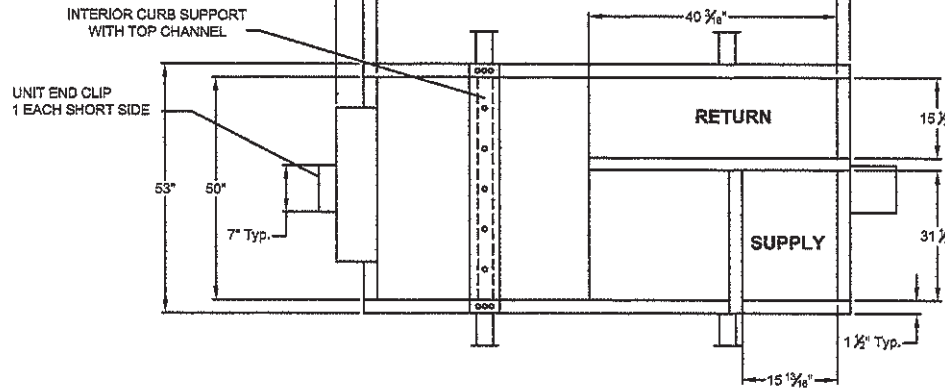
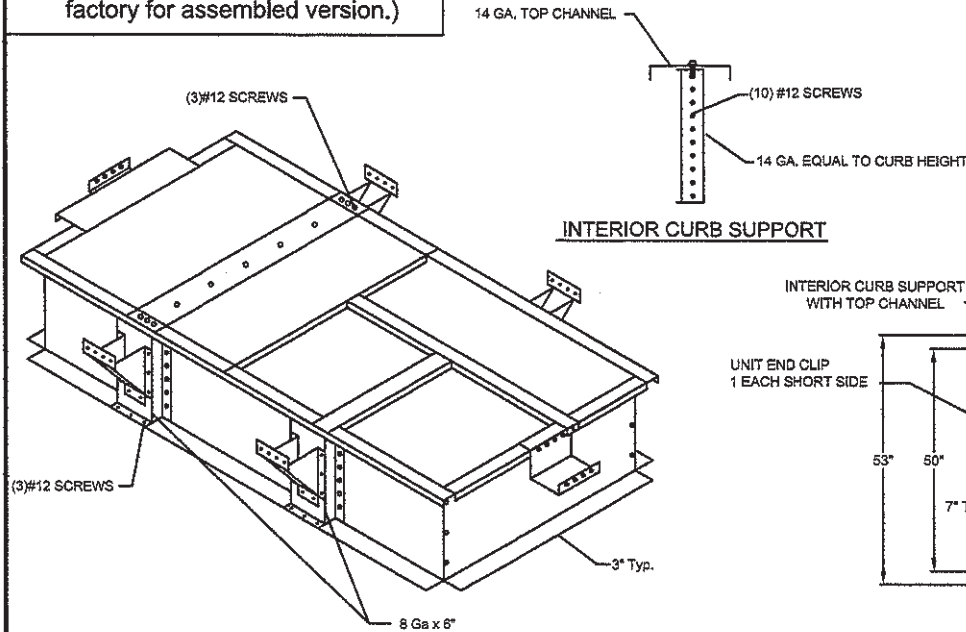
**ZX, ZY 08-12; ZX 14; ZY 07**

ProVent P/N	A	WEIGHT	CALCULATED KIT P/N	WEIGHT
80-268-4614	14"	99 Lbs	80-266-4614	37 Lbs
80-268-4618	18"	116 Lbs	80-266-4618	44 Lbs

Meets wind, seismic requirements for the following codes:  
FBC 2014  
based on ASCE 7-10.

**Wind:**  
190 mph exposure D category III or IV building, max BLDG height: 60 ft  
Kzt=1.00 max

**Seismic:**  
Sds=0.30 max  
Sd1=0.187 max  
Site Class D  
Importance Factor: Ip=1.5



3847 WABASH DR.  
MIRA LOMA, CA 91725

PHONE (951) 685-1101  
FAX (619) 872-9799

SUBMITTED TO: \_\_\_\_\_  
COMPANY: \_\_\_\_\_  
JOB NAME: \_\_\_\_\_  
EQUIPMENT: \_\_\_\_\_  
NOTES: \_\_\_\_\_

FORM NO:  
CBKD-162

DATE:  
03/02/16

PART NUMBER:  
80-268-46

REV:  
1

DRAWN BY:  
CNG