

For wood, concrete and steel attachments see Roof Anchorage Detail, Form No. CB-24A.

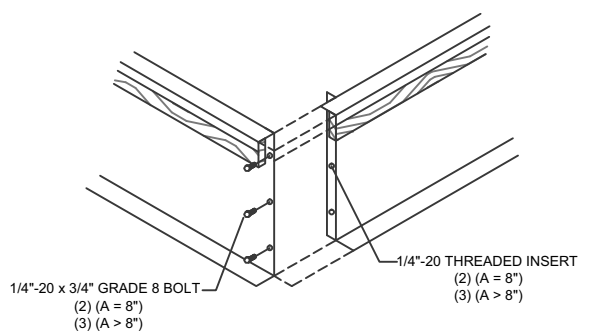
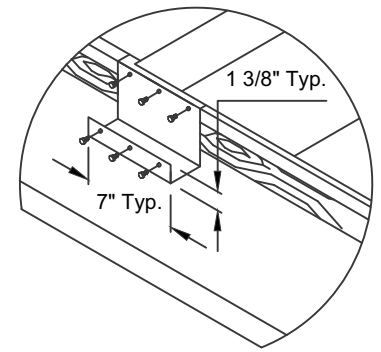
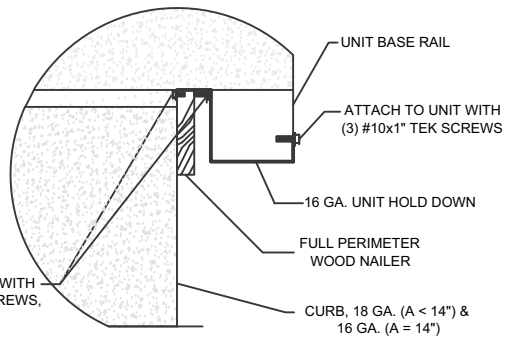
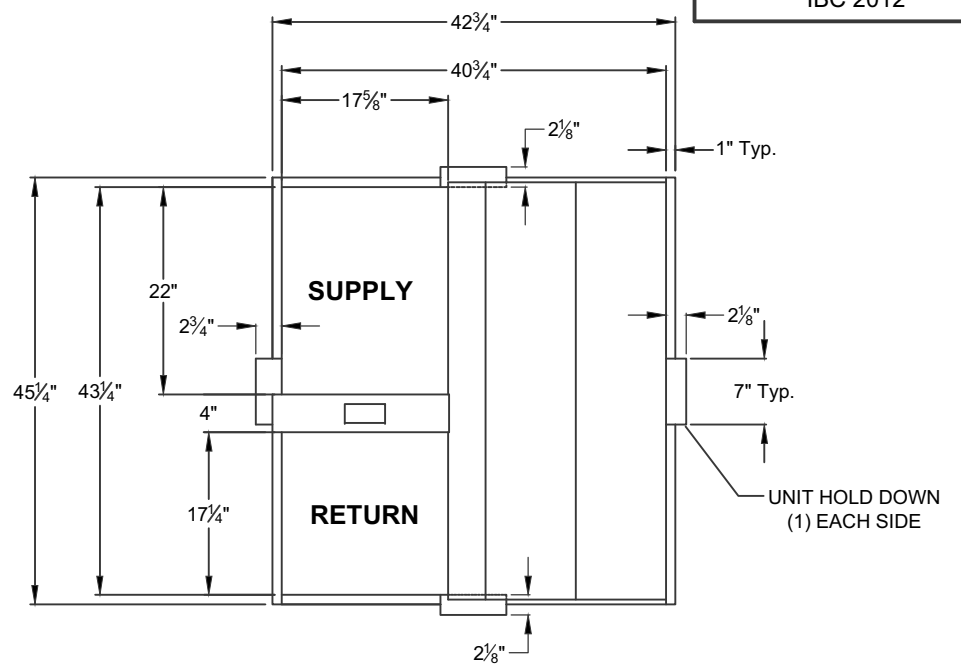
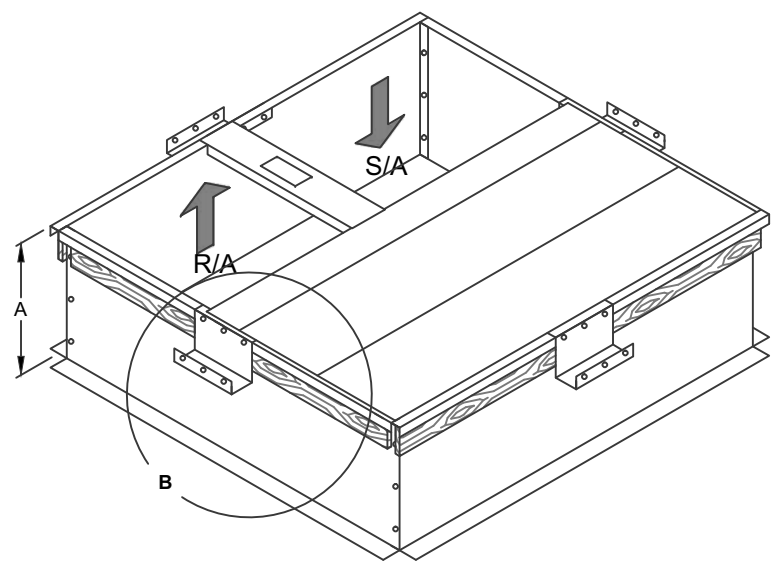
Will conform to seismic code requirements for knock-down or pre-assembled application. (Contact factory for assembled version.)

STRUCTURALLY CALCULATED KNOCK-DOWN ROOF CURBS FOR YORK UNITS

**DNQ/DNY/DNZ/DEQ/DEZ/BHQ/BHX/BHZ 024-060
DNX/DEX 024-060, DEY 060**

ProVent P/N	A	WEIGHT	SEISMIC KIT P/N	WEIGHT
CBKDAFF186008	8"	55 Lbs	KDKITAFF1860	5 Lbs
CBKDAFF186014	14"	82 Lbs		

**Meets seismic requirements for the following codes:
CBC 2013
IBC 2012**



3847 WABASH DR.
 MIRA LOMA, CA 91725
 PHONE (951) 685-1101
 FAX (619) 872-9799

SUBMITTED TO: _____
 COMPANY: _____
 JOB NAME: _____
 EQUIPMENT: _____
 NOTES: _____

FORM NO:
 CBKD-78
 DATE:
 7/23/14
 REV:
 1

PART NUMBER:
 KDKITAFF1860
 DRAWN BY:
 JG