

FEATURES	KNOCK-DOWN ROOF CURBS FOR SUNCORE UNITS	General Table		
-----------------	--	----------------------	--	--

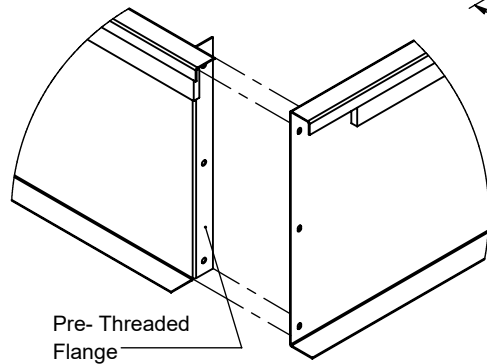
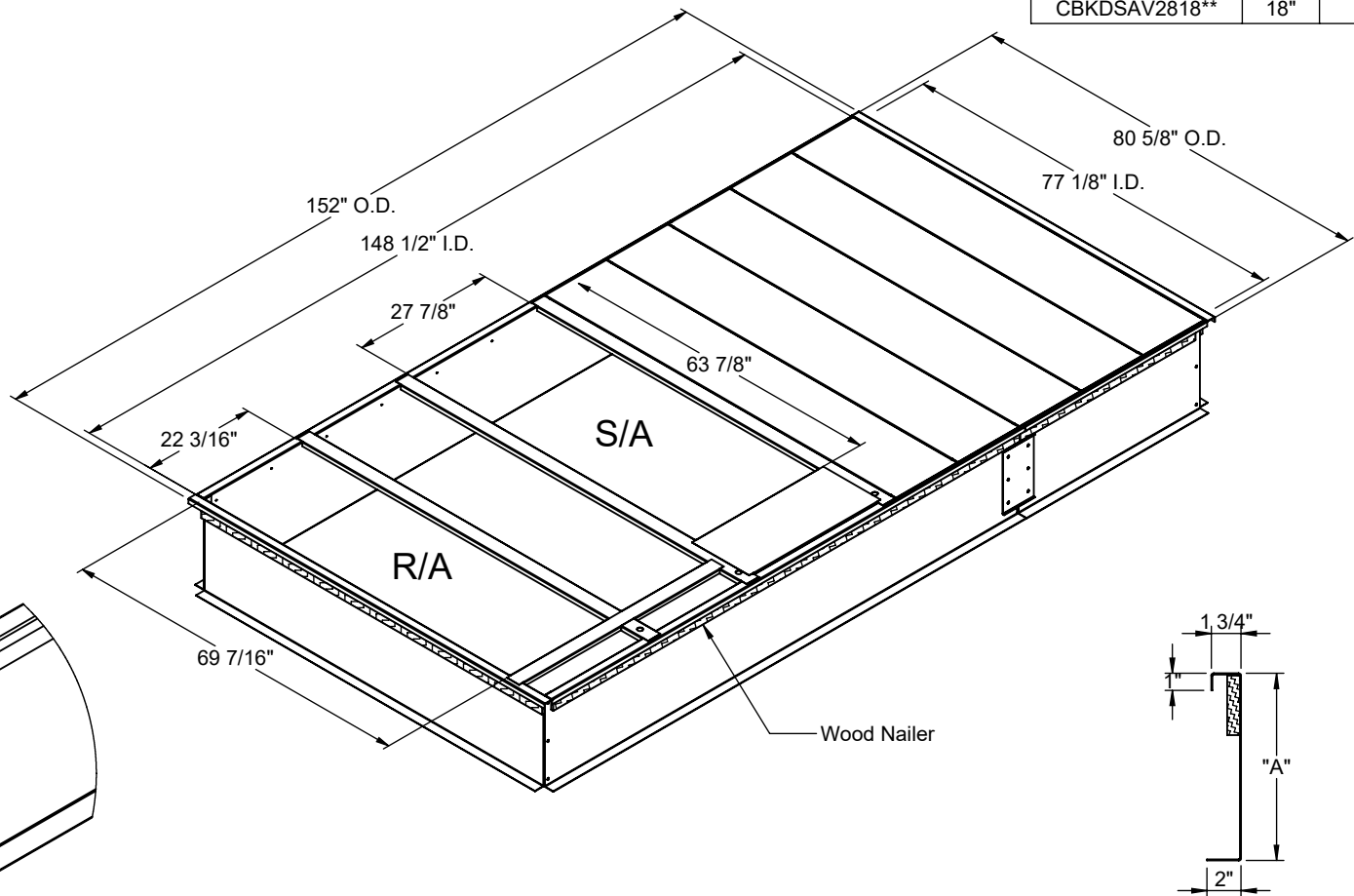
- Roof curb perimeter made of galvanized steel.
- Gasketing package provided.
- Heat treated wood nailer provided.
- Corner flanges are pre-threaded for easy bolt on assembly.
- Pitched, adjustable pitch/ adjustable height, welded, different height, isolation and calculated curbs are available.

NOTES

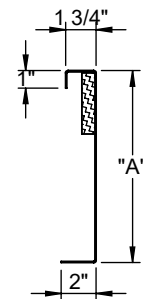
- Attach ductwork to roof curb. Flanges of duct rest on top of curb. Support ductwork below the curb.

AV28

PROVENT P/N	A	EST. WEIGHT
CBKDSAV2808**	08"	260 Lbs.
CBKDSAV2811**	11"	290 Lbs.
CBKDSAV2814**	14"	320 Lbs.
CBKDSAV2818**	18"	365 Lbs.



CORNER DETAIL



CROSS SECTION DETAIL

	3847 WABASH DRIVE MIRA LOMA, CA 91725 PHONE (951) 685-1101 FAX (619) 872-9799	SUBMITTED TO: _____ COMPANY: _____ JOB NAME: _____ EQUIPMENT: _____ NOTES: _____	FORM NO: -	PART NUMBER: CBKDSAV28 SERIES
	DATE: 6/18/2020	REV: -	DRAWN BY: ALL	