

For wood, concrete and steel attachments see Roof Anchorage Detail, Form No. CB-25A.

Will conform to wind load code requirements for knock-down or pre-assembled application. (Contact factory for assembled version.)

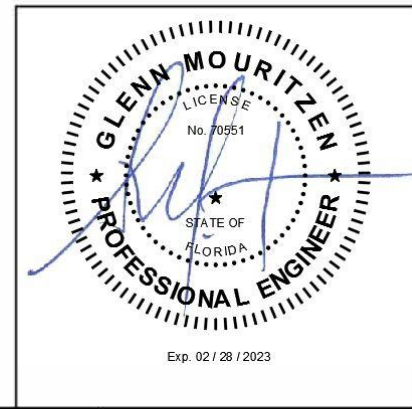
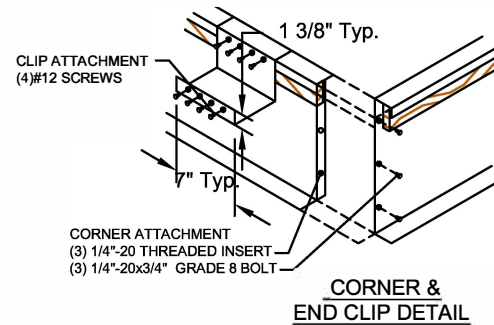
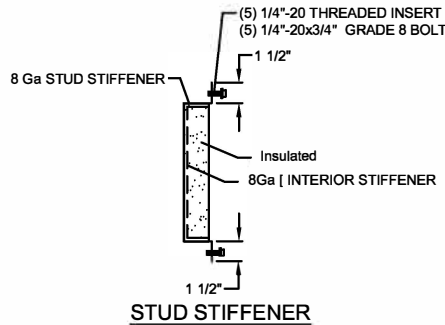
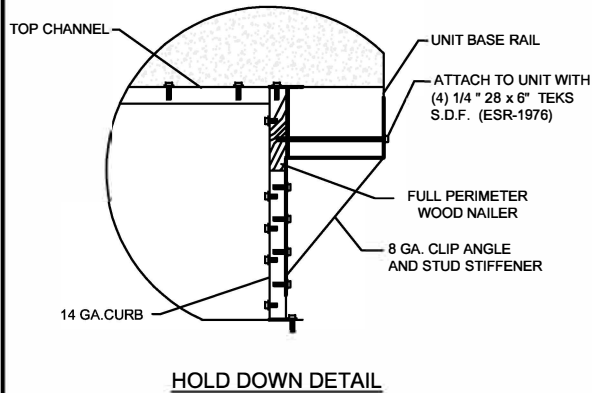
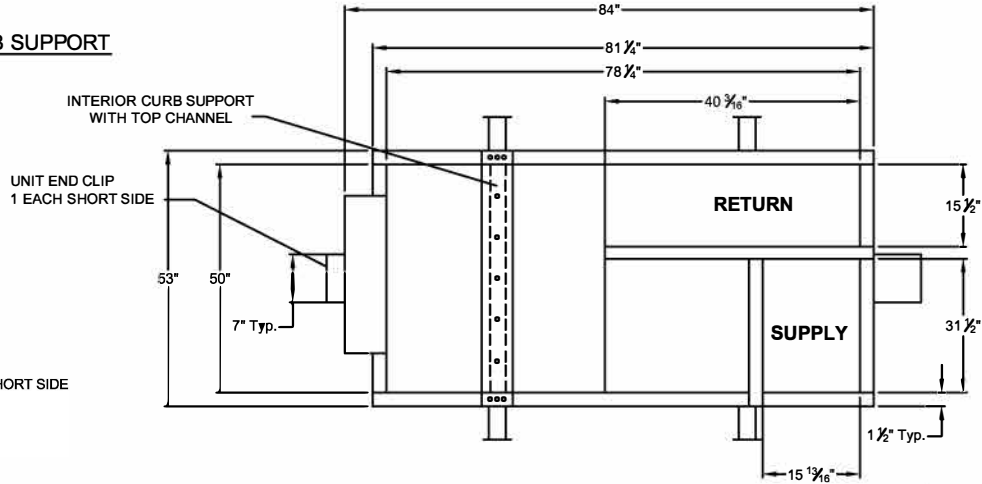
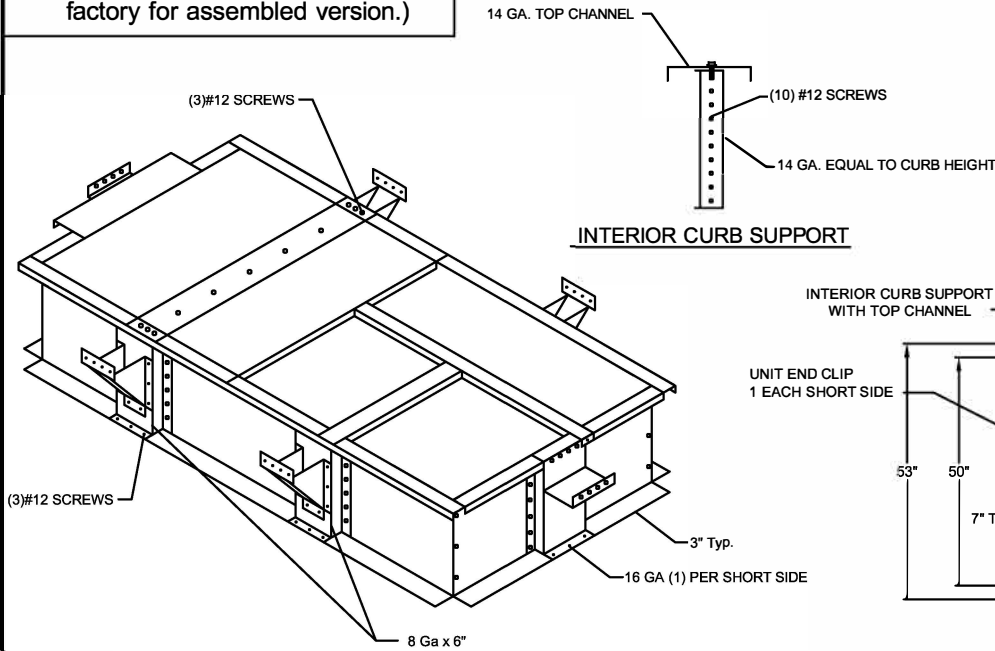
CALCULATED WIND ROOF CURBS FOR YORK UNITS

ZX 08-14; XX 08-12; XY A7; ZY A7
ZY 07-12; XY 07-09; ZL 08-14

ProVent P/N	A	WEIGHT
80-265-4614	14"	136 Lbs
80-265-4618	18"	160 Lbs

Meets wind requirements for the following codes:
FBC 2020
based on ASCE 7-16.

Wind:
190 mph exposure D category III or IV building, max BLDG height: 60 ft
Kzt=1.00 max



Exp. 02 / 28 / 2023



1625 DIPLOMAT DRIVE
CARROLTON, TX 75006

PHONE (972) 247-7447
FAX (972) 243-0940

SUBMITTED TO: _____
COMPANY: _____
JOB NAME: _____
EQUIPMENT: _____
NOTES: _____

FORM NO:
CBKD-163A

DATE:
3/29/2021

REV:
3

PART NUMBER:
80-265-46

DRAWN BY:
ALL