

For wood, concrete and steel attachments see Roof Anchorage Detail, Form No. CB-26.	CALCULATED WIND AND SEISMIC ROOF CURBS FOR YORK UNITS	ProVent P/N	A	WEIGHT	CALCULATED KIT P/N	WEIGHT
		80-268-4914	14"	101 Lbs	80-266-4914	28 Lbs
		80-268-4918	18"	120 Lbs	80-266-4918	33 Lbs

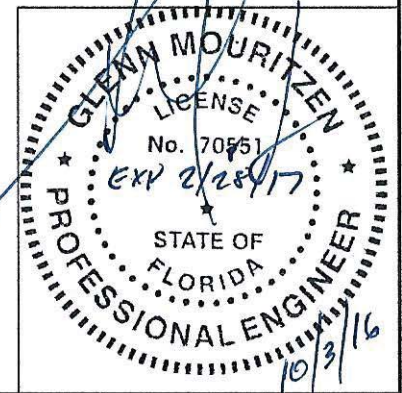
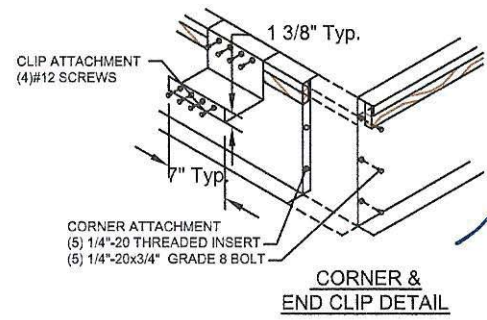
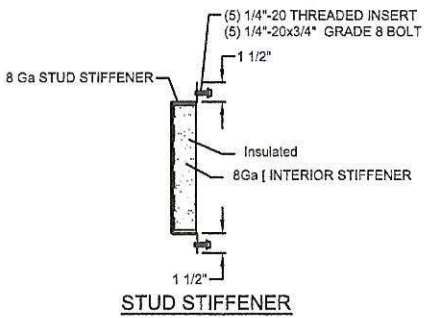
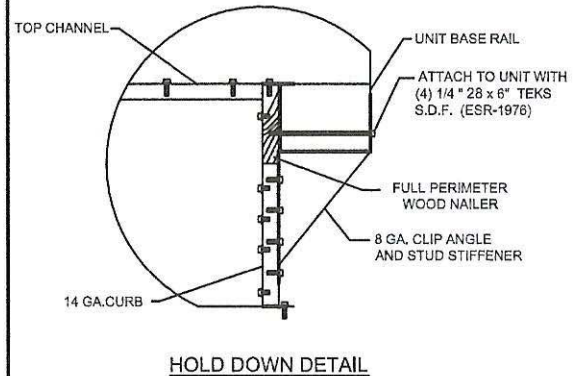
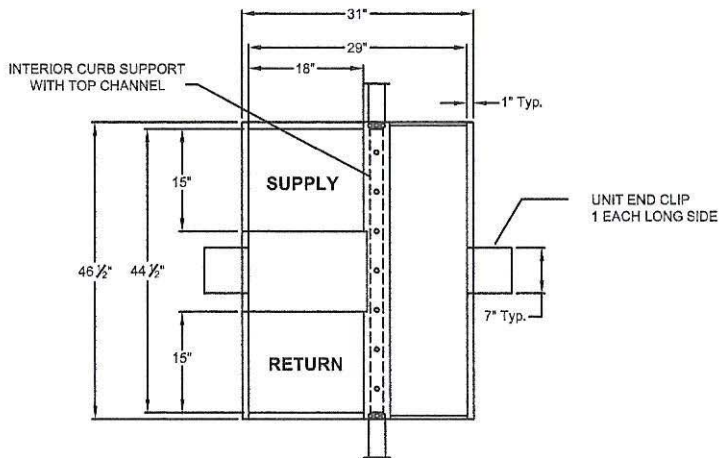
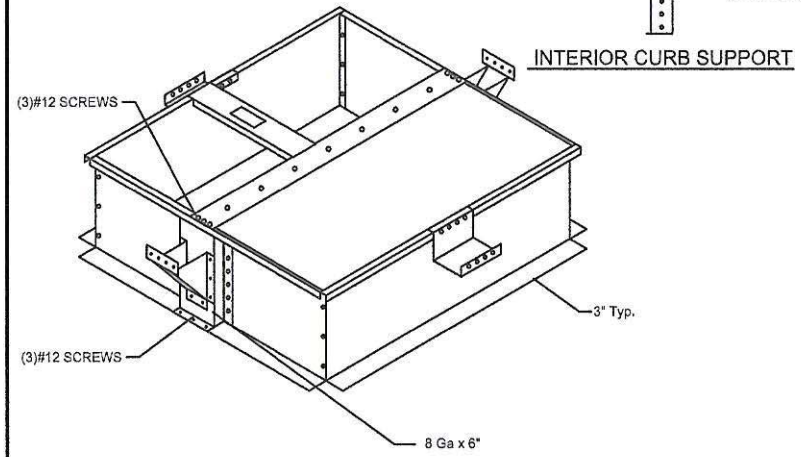
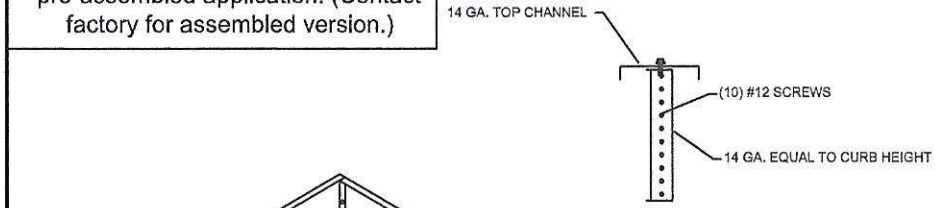
Will conform to wind load code requirements for knock-down or pre-assembled application. (Contact factory for assembled version.)

PCG4A, PCE4A 024-042 / PHE4A, PHG4A 024-030

Meets wind, seismic requirements for the following codes:  
**FBC 2014**  
 based on ASCE 7-10.

**Wind:**  
 190 mph exposure D category III or IV building, max BLDG height: 60 ft  
 Kzt=1.00 max

**Seismic:**  
 Sds=0.30 max  
 Sd1=0.187 max  
 Site Class D  
 Importance Factor: Ip=1.5



	3847 WABASH DR. MIRA LOMA, CA 91725  PHONE (951) 685-1101 FAX (619) 872-9799	SUBMITTED TO: _____ COMPANY: _____ JOB NAME: _____ EQUIPMENT: _____ NOTES: _____		FORM NO: CBKD-160	PART NUMBER: 80-268-49
		DATE: 03/02/16	REV: 1	DRAWN BY: CNG	