

For wood, concrete and steel attachments see Roof Anchorage Detail, Form No. CB-25.

Will conform to wind load code requirements for knock-down or pre-assembled application. (Contact factory for assembled version.)

**CALCULATED WIND AND SEISMIC
ROOF CURBS FOR YORK UNITS**

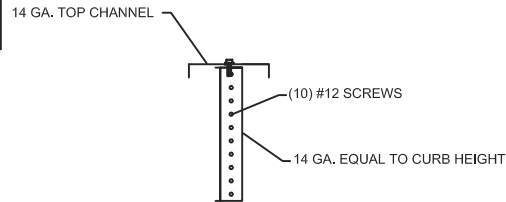
**DNQ/DNY/DNZ/DEQ/DEZ/BHQ/BHX/BHZ 024-06
DNX/DEX 024-060, DEY 060**

ProVent P/N	A	WEIGHT	CALCULATED KIT P/N	WEIGHT
80-268-2414	14"	111 Lbs	80-266-2414	28 Lbs
80-268-2418	18"	130 Lbs	80-266-2418	33 Lbs

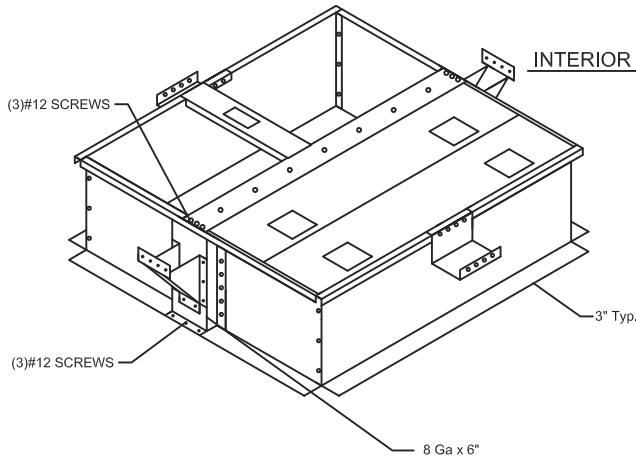
Meets wind, seismic requirements for the following codes:
FBC 2014
based on ASCE 7-10.

Wind:
185 mph exposure D category III or IV building, max BLDG height: 60 ft
Kzt=1.66max

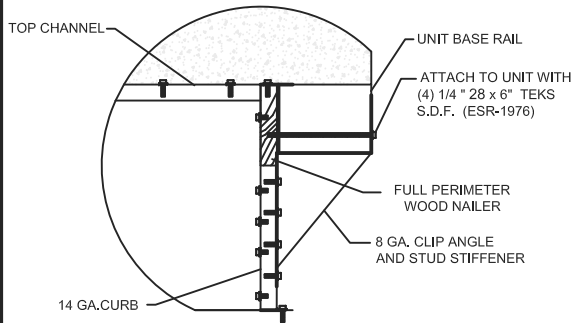
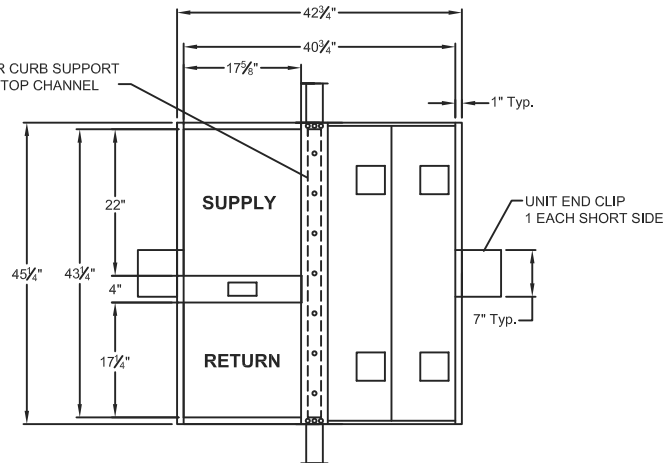
Seismic:
Sds=0.30 max
Sd1=0.187 max
Site Class E
Importance Factor: Ip=1.5



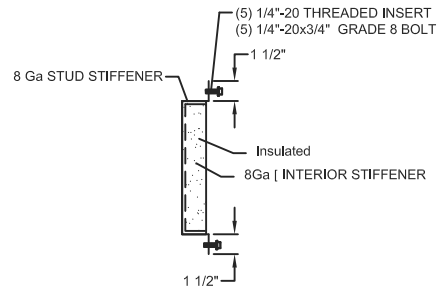
INTERIOR CURB SUPPORT



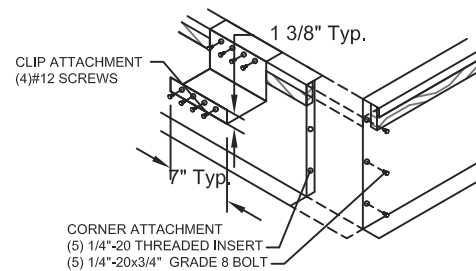
INTERIOR CURB SUPPORT WITH TOP CHANNEL



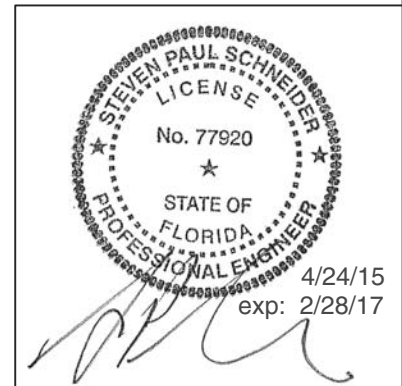
HOLD DOWN DETAIL



STUD STIFFENER



CORNER & END CLIP DETAIL



3847 WABASH DR.
MIRA LOMA, CA 91725

PHONE (951) 685-1101
FAX (619) 872-9799

SUBMITTED TO: _____
COMPANY: _____
JOB NAME: _____
EQUIPMENT: _____
NOTES: _____

FORM NO:
CBKD-93

DATE:
04/20/15

REV:
3

PART NUMBER:
80-268-24

DRAWN BY:
CNG