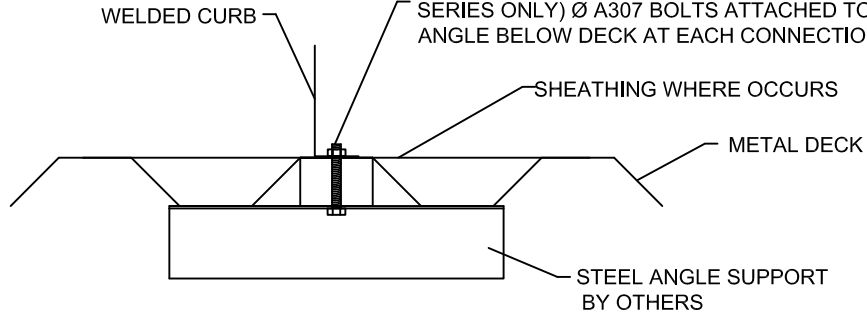


STEEL ATTACHMENT

CENTER ON CURB FLANGE. SEE TABLE FOR QUANTITY OF EVENLY SPACED 1/2" (OR 5/8" FOR MIL SERIES ONLY) Ø A307 BOLTS ATTACHED TO STEEL ANGLE BELOW DECK AT EACH CONNECTION POINT.



NO. OF ANCHORAGE BOLTS REQUIRED

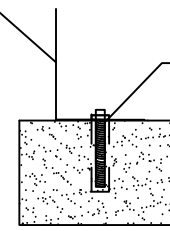
CURB	LONG SIDE	SHORT SIDE
LXS	2 @ 34.5" O.C.	2 @ 19" O.C.
LXL	2 @ 34.5" O.C.	2 @ 29" O.C.
SUN3672	2 @ 60.5" O.C.	2 @ 39" O.C.
PRD3715	2 @ 68.88" O.C.	2 @ 39" O.C.
PRS	2 @ 58.88" O.C.	2 @ 28.69" O.C.
PRL	2 @ 72" O.C.	2 @ 41.5" O.C.
SLU180	3 @ 51.38" O.C.	2 @ 71.5" O.C.
SLM1830	3 @ 56.88" O.C.	3 @ 35.75" O.C.

ASSUMES:

CONC SLAB
f_c= 4000PSI MINIMUM
6" MIN THICKNESS
NORMAL WEIGHT CONCRETE
OR SAND LIGHT WEIGHT

CONCRETE ATTACHMENT

WELDED CURB



CENTER ON CURB FLANGE. SEE TABLE FOR QUANTITY OF EVENLY SPACED 3/4" Ø THREADED ROD IN HILTI HIT-HY 200 EPOXY WITH 4" EMBED

NO. OF ANCHORAGE BOLTS REQUIRED

CURB	LONG SIDE	SHORT SIDE
LXS	4 @ 11.5" O.C.	3 @ 9.5" O.C.
LXL	4 @ 11.5" O.C.	3 @ 14.5" O.C.
SUN3672	4 @ 20.17" O.C.	3 @ 12.38" O.C.
PRD3715	9 @ 8.61" O.C.	7 @ 6.5" O.C.
PRS	5 @ 14.72" O.C.	4 @ 9.56" O.C.
PRL	6 @ 14.4" O.C.	5 @ 10.38" O.C.
SLU180	8 @ 14.68" O.C.	7 @ 11.92" O.C.
SLM1830	12 @ 10.34" O.C.	10 @ 7.94" O.C.

Meets seismic requirements for the following codes:
CBC 2019
IBC 2018

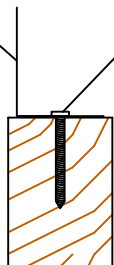
ROOF ANCHORAGE DETAIL

CBKD Series	CBWC Series
LXS	LXS
LXL	LXL
SUN3672	SUN3672
PRD3715	PRD3715
PRS	PRS
PRL	PRL
SLU180	SLU180
SLM1830	SLM1830

* SIX INCHES FROM EACH CORNER EVENLY SPACED.
** CENTERED.

WOOD ATTACHMENT

WELDED CURB



CENTER ON CURB FLANGE. SEE TABLE FOR QUANTITY OF EVENLY SPACED 1/4" Ø SIMPSON SDS OR EQUIVALENT SCREWS (3 1/2" MIN. EMBED. INTO WOOD FRAMING)

5/8" Ø LAG SCREW W/MIN. 3.5" EMBED (SGMIN=0.43) (FOR MIL SERIES ONLY)

NO. OF ANCHORAGE SCREWS REQUIRED

CURB	LONG SIDE	SHORT SIDE
LXS	4 @ 12.83" O.C.	3 @ 11.5" O.C.
LXL	4 @ 12.83" O.C.	3 @ 16.5" O.C.
SUN3672	4 @ 21.5" O.C.	3 @ 14.38" O.C.
PRD3715	9 @ 9.11" O.C.	8 @ 6.14" O.C.
PRS	4 @ 20.96" O.C.	3 @ 16.34" O.C.
PRL	5 @ 19" O.C.	4 @ 15.17" O.C.
SLU180	9 @ 13.34" O.C.	7 @ 12.58" O.C.
SLM1830	13 @ 9.81" O.C.	12 @ 6.86" O.C.

FOUR INCHES FROM EACH CORNER EVENLY SPACED



3847 WABASH DRIVE
MIRA LOMA, CA 91725

PHONE (951) 685-1101
FAX (619) 872-9799

SUBMITTED TO: _____
COMPANY: _____
JOB NAME: _____
EQUIPMENT: _____
NOTES: _____

FORM NO:
CB-60

DATE:
10/07/2021

REV:
7

DRAWN BY:
FMM