

For wood, concrete and steel attachments see **Roof Anchorage Detail, Form No. CB-24A.**

STRUCTURALLY CALCULATED WELDED ROOF CURBS FOR YORK UNITS

**DNQ/DNY/DNZ/DEQ/DEZ/BHQ/BHX/BHZ 024-060
DNX/DEX 024-060, DEY 060**

ProVent P/N	A	WEIGHT
CBWCAFF186008	8"	74 Lbs
CBWCAFF186011	11"	85 Lbs
CBWCAFF186014	14"	97 Lbs
CBWCAFF186024	24"	171 Lbs

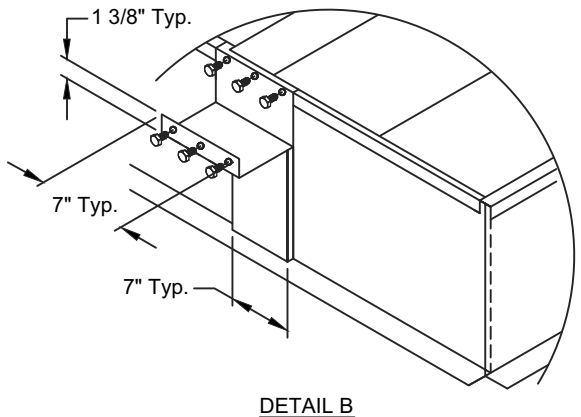
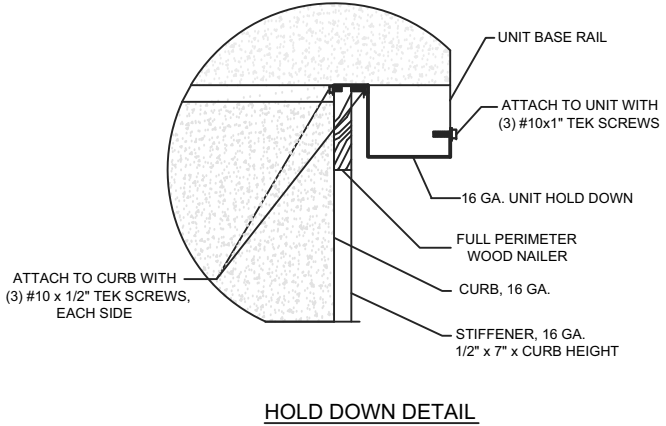
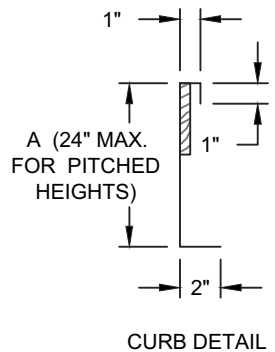
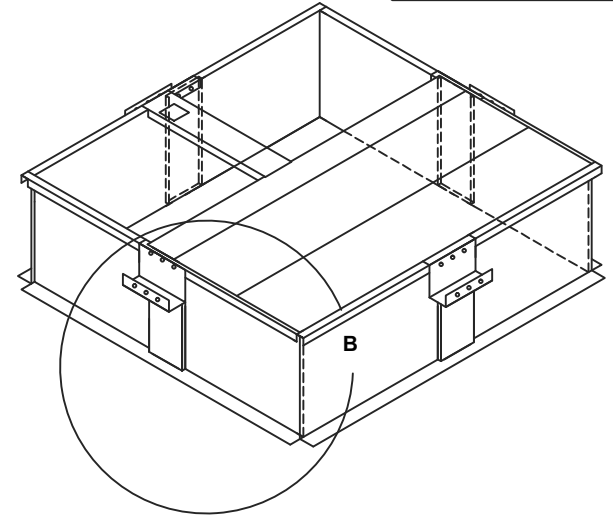
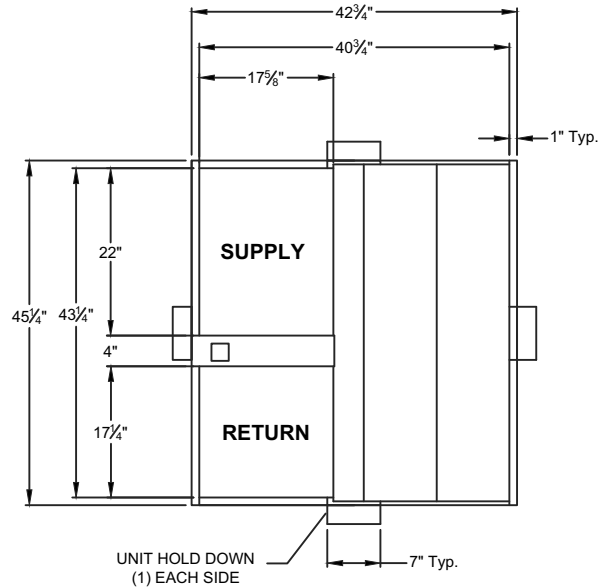
Meets seismic requirements for the following codes:
CBC 2013
IBC 2012

FEATURES

- Roof curb sides and ends are 16 ga. galvanized steel.
- Gasketing package provided.
- Heat treated wood nailer provided.
- Insulated deck pans provided.
- Pitched curbs and taller curbs are available.

NOTES

- Attach ductwork to roof curb. Flanges of duct rest on top of curb. Support ductwork below the curb.
- Thru the curbs utilities are available. Contact your York distributor or Provent directly.



3847 WABASH DR.
MIRA LOMA, CA 91725

PHONE (951) 685-1101
FAX (619) 872-9799

SUBMITTED TO: _____
COMPANY: _____
JOB NAME: _____
EQUIPMENT: _____
NOTES: _____

FORM NO:
CBWC-111

DATE:
7/23/14

REV:
2

PART NUMBER:
CBWCAFF1860 SERIES

DRAWN BY:
JG