

For wood, concrete and steel attachments see **Roof Anchorage Detail, Form No. CB-24A.**

STRUCTURALLY CALCULATED WELDED ROOF CURBS FOR YORK UNITS

ProVent P/N	A	WEIGHT
CBWCPRD371508	8"	125 Lbs
CBWCPRD371511	11"	141 Lbs
CBWCPRD371514	14"	157 Lbs
CBWCPRD371524	24"	208 Lbs

ZT, ZR, ZJ, ZH 037-150
ZF, ZH, ZJ, ZR, XP, DH, DM, DF, DR, BP 078-150

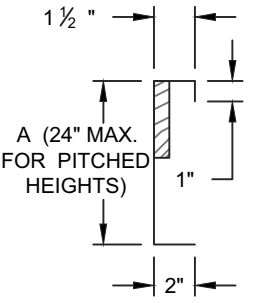
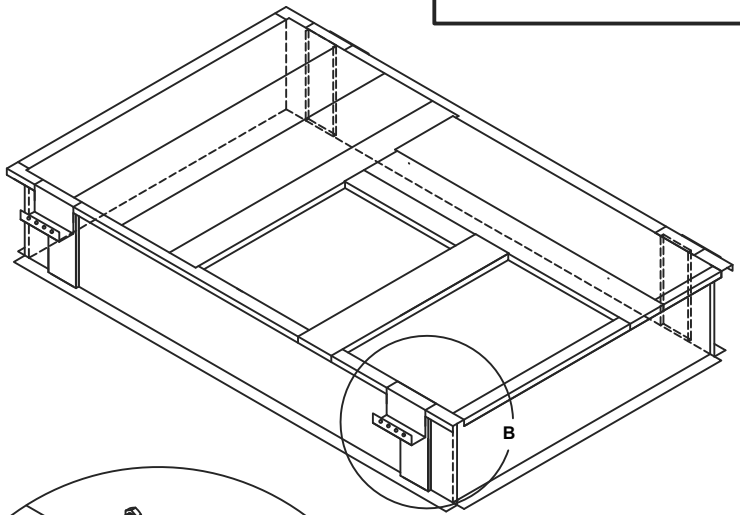
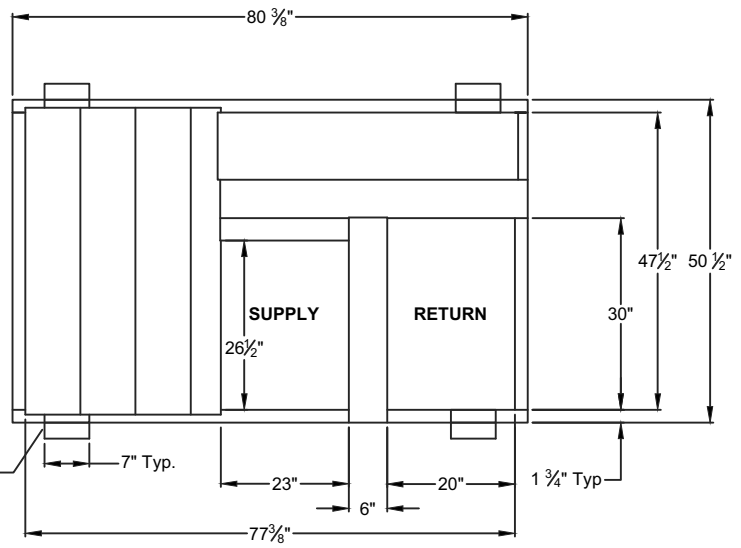
Meets seismic requirements for the following codes:
 CBC 2013
 IBC 2012

FEATURES

- Roof curb sides and ends are 16 ga. galvanized steel.
- Gasketing package provided.
- Heat treated wood nailer provided.
- Insulated deck pans provided.
- Pitched curbs and taller curbs are available.

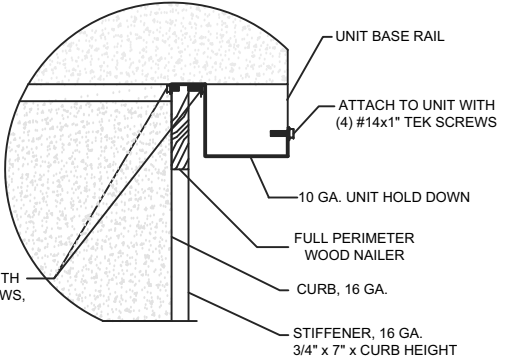
NOTES

- Attach ductwork to roof curb. Flanges of duct rest on top of curb. Support ductwork below the curb.
- Thru the curbs utilities are available. Contact your York distributor or Provent directly.

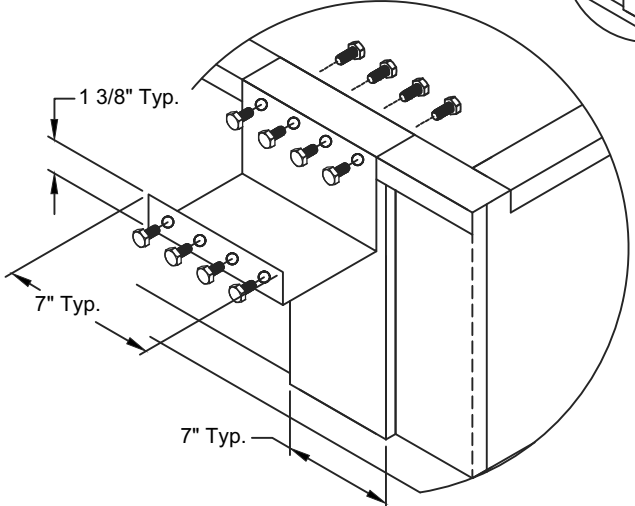


CURB DETAIL

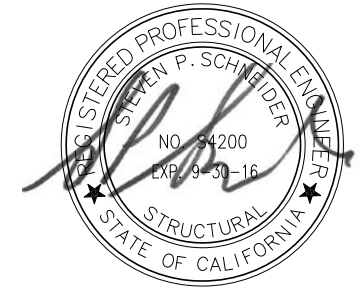
UNIT HOLD DOWN
 (2) EACH LONG SIDE



HOLD DOWN DETAIL



DETAIL B



3847 WABASH DR.
 MIRA LOMA, CA 91725
 PHONE (951) 685-1101
 FAX (619) 872-9799

SUBMITTED TO: _____
 COMPANY: _____
 JOB NAME: _____
 EQUIPMENT: _____
 NOTES: _____

FORM NO:
 CBWC-113
 DATE:
 7/23/14

PART NUMBER:
 CBWCPRD3715 SERIES
 REV:
 2
 DRAWN BY:
 JG