

For wood, concrete and steel attachments see Roof Anchorage Detail, Form No. CB-24A.

STRUCTURALLY CALCULATED WELDED ROOF CURBS FOR YORK UNITS

PCG4B, PCE4B 048-060 / PHE4B, PHG4B 036-060

ProVent P/N	A	WEIGHT
CBWCLXL08	8"	74 Lbs
CBWCLXL11	11"	85 Lbs
CBWCLXL14	14"	97 Lbs
CBWCLXL24	24"	171 Lbs

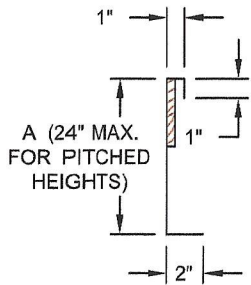
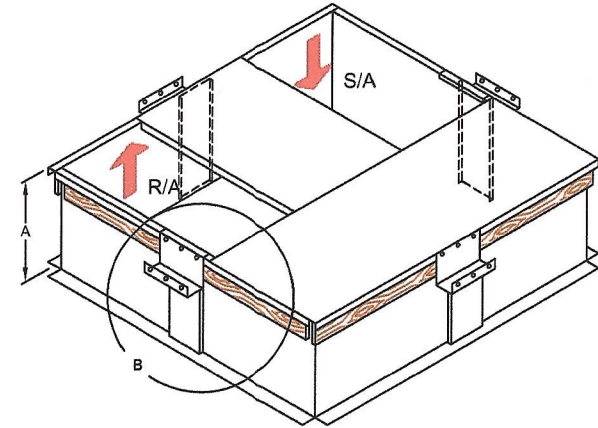
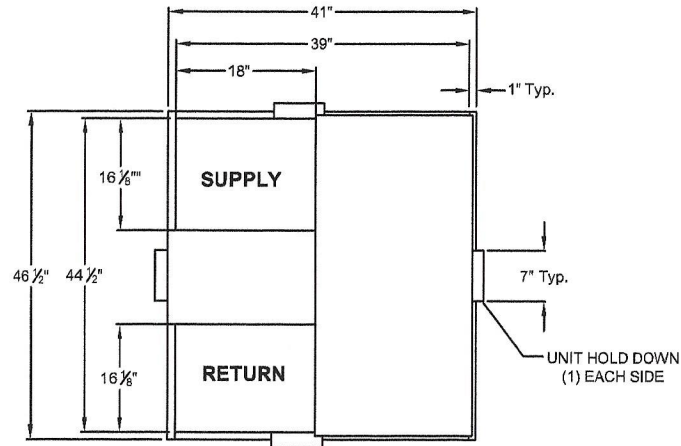
Meets seismic requirements for the following codes:
CBC 2013
IBC 2012

FEATURES

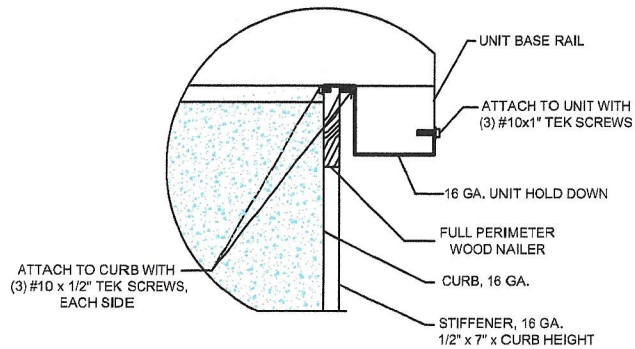
- Roof curb sides and ends are 16 ga. galvanized steel.
- Gasketing package provided.
- Heat treated wood nailer provided.
- Insulated deck pans provided.
- Pitched curbs and taller curbs are available.

NOTES

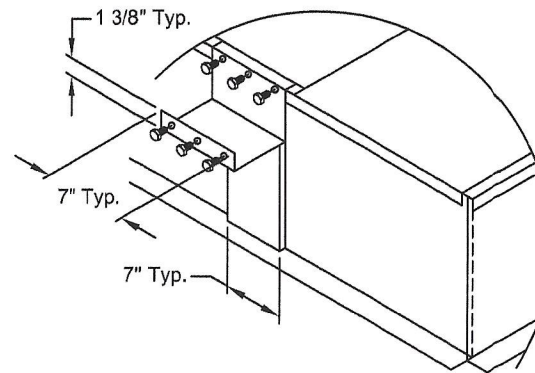
- Attach ductwork to roof curb. Flanges of duct rest on top of curb. Support ductwork below the curb.
- Thru the curbs utilities are available. Contact your York distributor or Provent directly.



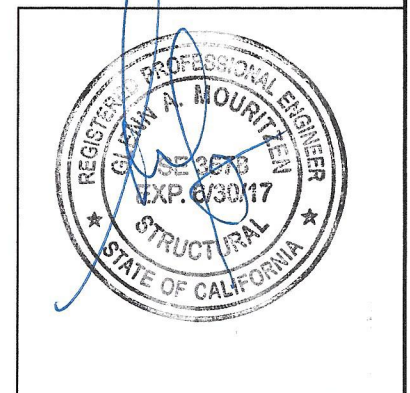
CURB DETAIL



HOLD DOWN DETAIL



DETAIL B



3847 WABASH DR.
MIRA LOMA, CA 91725

PHONE (951) 685-1101
FAX (619) 872-9799

SUBMITTED TO: _____
COMPANY: _____
JOB NAME: _____
EQUIPMENT: _____
NOTES: _____

FORM NO:
CBWC-119

DATE:
09/21/15

PART NUMBER:
CBWCLXL SERIES

REV:
2

DRAWN BY:
CNG