

For wood, concrete and steel attachments see Roof Anchorage Detail, Form Nos. CB-24A.

STRUCTURALLY CALCULATED WELDED ROOF CURBS FOR YORK UNITS

ZX, ZY 04-06; ZX07

ProVent P/N	A	WEIGHT
CBWCPRS08	8"	125 Lbs
CBWCPRS11	11"	136 Lbs
CBWCPRS14	14"	147 Lbs
CBWCPRS24	24"	186 Lbs

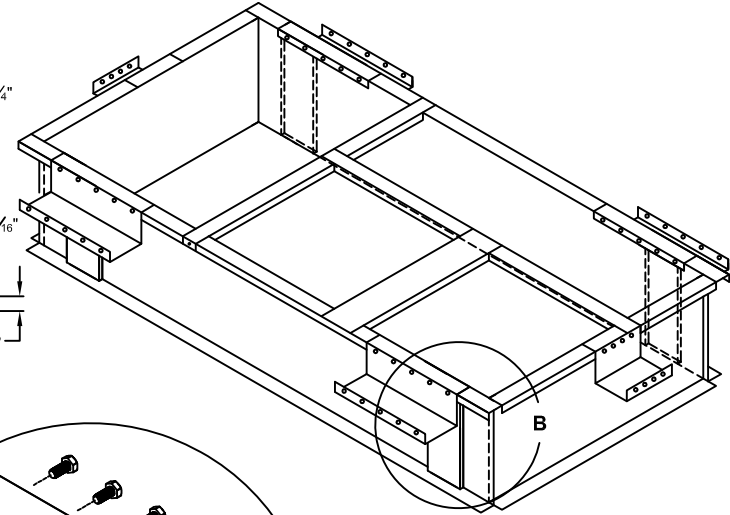
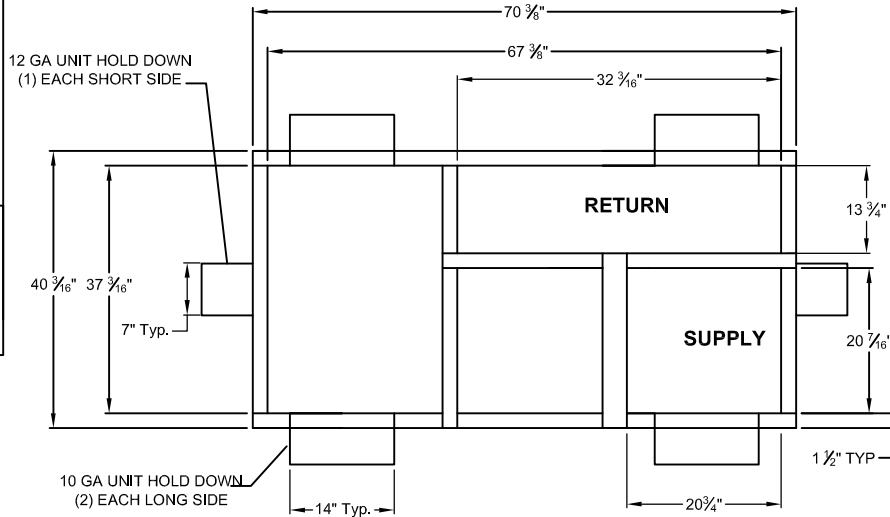
Meets seismic requirements for the following codes:
CBC 2013
IBC 2012

FEATURES

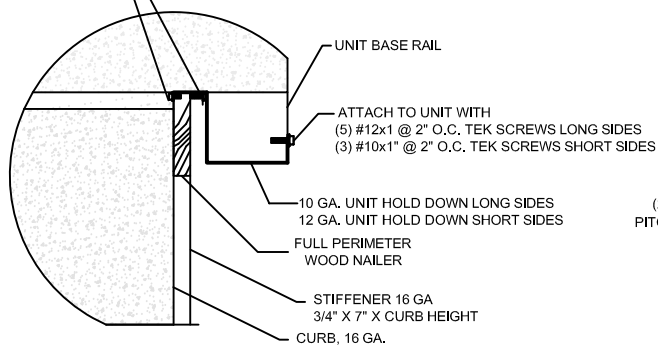
- Roof curb sides and ends are 16 ga. galvanized steel.
- Gasketing package provided.
- Heat treated wood nailer provided.
- Pitched curbs and taller curbs are available.

NOTES

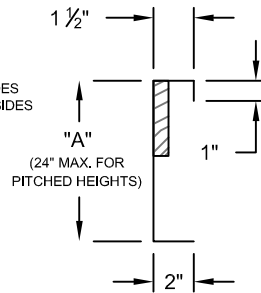
- Attach ductwork to roof curb. Flanges of duct rest on top of curb. Support ductwork below the curb.



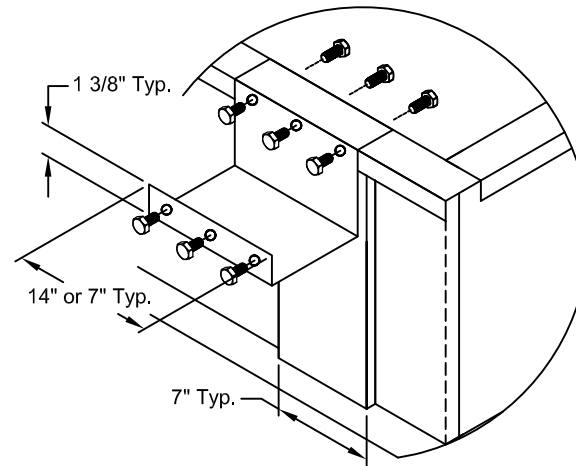
ATTACH TO CURB WITH
(5) #12x1/2" @ 3 O.C. TEK SCREWS,
EACH SIDE
(3) #10 x 1/2" @ 3" O.C TEK SCREW,
EACH SIDE



HOLD DOWN DETAIL



CURB DETAIL



DETAIL B



3847 WABASH DR.
MIRA LOMA, CA 91725

PHONE (951) 685-1101
FAX (619) 872-9799

SUBMITTED TO: _____
COMPANY: _____
JOB NAME: _____
EQUIPMENT: _____
NOTES: _____

FORM NO:
CBWC-300

DATE:
12/9/14

PART NUMBER:
CBWCPRS SERIES

REV:
4

DRAWN BY:
JG