

For wood, concrete and steel attachments see Roof Anchorage Detail, Form No. CB-24A.

STRUCTURALLY CALCULATED VIBRATION ISOLATION CURBS FOR YORK UNITS

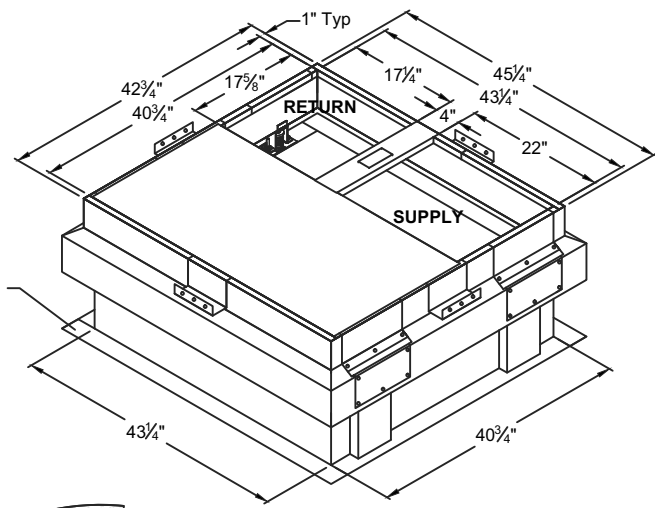
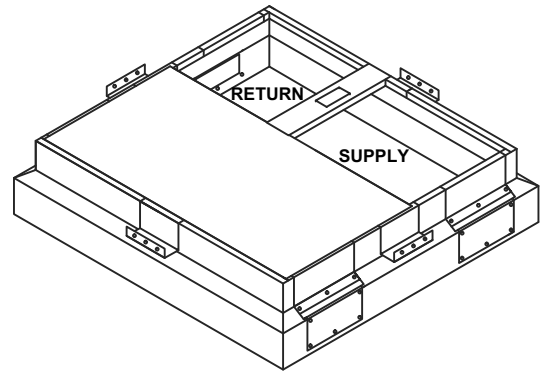
**DNQ/DNY/DNZ/DEQ/DEZ/BHQ/BHX/BHZ 024-060
DNX/DEX 024-060, DEY 060**

ProVent P/N (2" Deflection)	A	B	WEIGHT	ProVent P/N (3" Deflection)	A	B	WEIGHT
ISCALAFF186018**	8"	18"	269 Lbs	ISCALAFF1860193**	8"	19"	299 Lbs
ISCALAFF186021**	11"	21"	281 Lbs	ISCALAFF1860223**	11"	22"	311 Lbs
ISCALAFF186024**	14"	24"	293 Lbs	ISCALAFF1860253**	14"	25"	323 Lbs

Welded isolation spring housings are standard. For bolted spring housings, neoprene pads and spring cups see Weldment and Bolting Detail, Form No. ISCAL-131.

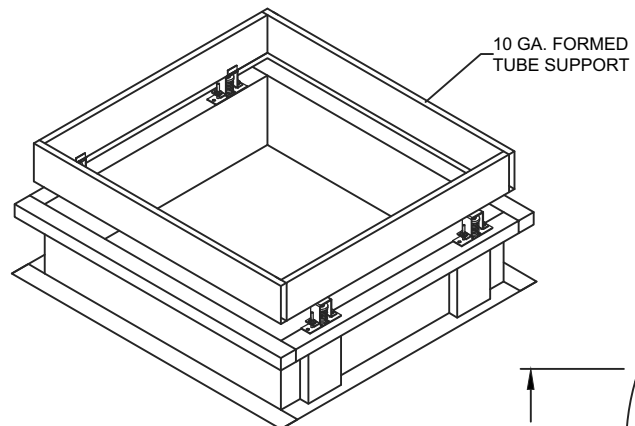
****Note:** Spring configuration must be added to part number at time of order.

Meets seismic requirements for the following codes:
CBC 2013
IBC 2012



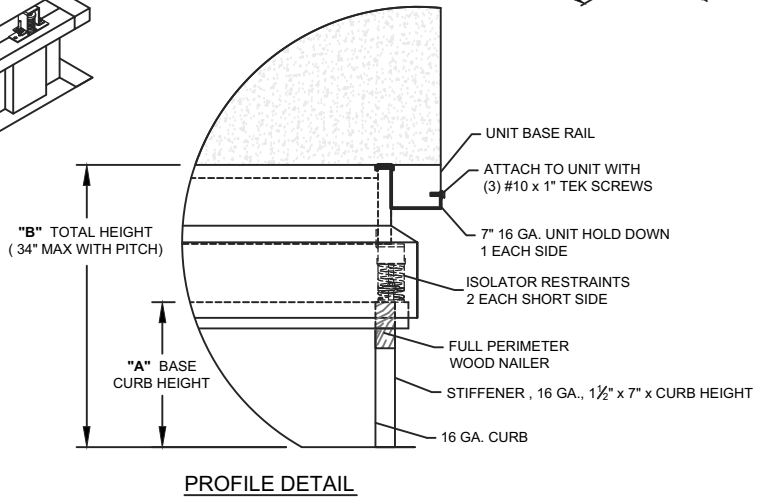
FEATURES

- Roof curb sides and ends are 16 ga. galvanized steel.
- Fully welded construction.
- Gasketing package provided.
- Heat treated wood nailer provided.
- Insulated deck pans provided.
- Pitched curbs and taller curbs are available.
- CalDyn OSHPD pre-approved 2" or 3" deflection seismic restraints. (OPA-0070), (JQA).



NOTES

- Attach ductwork to roof curb. Flanges of duct rest on top of curb. Support ductwork below the curb.
- Thru the curb utilities are available. Contact your York distributor or ProVent directly.



3847 WABASH DR.
MIRA LOMA, CA 91725

PHONE (951) 685-1101
FAX (619) 872-9799

SUBMITTED TO: _____
COMPANY: _____
JOB NAME: _____
EQUIPMENT: _____
NOTES: _____

FORM NO:
ISCAL-125

DATE:
7/23/14

REV:
2

PART NUMBER:
ISCALAFF1860 SERIES

DRAWN BY:
JG